

FORM 8866
SUPERSEDES FORM 7523
AUGUST, 1922

LIST
OF
PARTS



MACHINES
Nos. 63-1 to 63-6

THE SINGER MANUFACTURING COMPANY

COPYRIGHT, U. S. A., 1922, BY THE SINGER MANUFACTURING COMPANY
ALL RIGHTS RESERVED FOR ALL COUNTRIES

INDEX

| | PAGE |
|--|------|
| ACCESSORIES..... | 21 |
| BOBBIN WINDER..... | 24 |
| FELLER (FOOT)..... | 22 |
| FOOT LIFTER PARTS..... | 24 |
| GUIDES..... | 22 |
| HEMMERS..... | 22 |
| KNEE LIFTER PARTS FOR POWER TABLE..... | 25 |
| “ “ “ “ STAND..... | 26 |
| MACHINE No. 63-1..... | 7 |
| “ “ 63-2..... | 13 |
| “ “ 63-3..... | 13 |
| “ “ 63-4..... | 15 |
| “ “ 63-5..... | 20 |
| “ “ 63-6..... | 21 |
| NUMERICAL LIST OF PARTS..... | 31 |
| OBSOLETE PARTS..... | 28 |
| PRESSER FEET..... | 23 |
| “ “ (GLASS PLATE)..... | 23 |
| STAND..... | 27 |
| THREAD UNWINDER..... | 28 |

INSTRUCTIONS FOR ORDERING

In ordering from this list, use ONLY the PART number in the FIRST column.

The number stamped on a Sewing Machine part is in every case the number of the single part only.

Every combination of parts sent out as such has its specific number, which, although not stamped on the parts, must be used when ordering the combination.

Each number always indicates the SAME PART in whatever list it appears, or for whatever machine.

The letters after some of the numbers indicate the style of finish only, as follows:

- A. Hardened, Polished and Plated.
- B. Polished and Plated.
- C. Hardened only.
- D. Polished only.
- E. Soft, not Polished.
- F. Hardened and Polished.
- G.
- H. Blued.
- J. Plated only.
- K. Hardened and Plated.
- L. Brass or Gilt
- M. Oxidized.
- P. Japanned.
- R. Parkerized.

These letters MUST BE USED when they appear in the list, and AFTER the number as in the list.

In this series

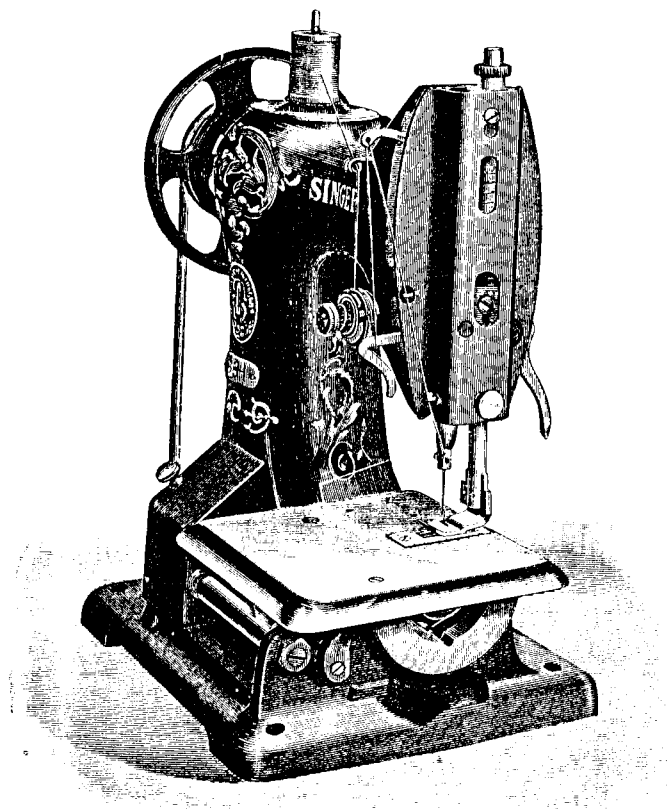
- 1 to 1500 and 50001 to 51500 are Screw Numbers.
- 1501 to 1800 are Nut Numbers.
- 1801 to 2000 are Roller Numbers.
- 2001 to 50000 and 52001 and upward are numbers of Machine Parts.

The figures in the second column refer only to the plates illustrating the parts, and are NOT TO BE USED in ordering.

Parts marked with an asterisk (*) are furnished only when repairs are made at factory.

LIST OF PARTS COMPLETE

FOR



MACHINE No. 63-1

FOR RUNNING AND BANDING COLLARS AND CUFFS.
ADJUSTABLE PRESSER FOOT, DROP FEED
(OBSOLETE)

| NO. | PLATE | NAME |
|--------|-------|---|
| *21355 | --- | Arm, upper and lower (solid) |
| 11119 | 1979 | " Oil Tube with 29599, for oiling 21271 and 21272 |

| NO. | PLATE | NAME |
|--------|-------|---|
| 29599 | 1996 | Arm Oil Tube Packing (felt)..... |
| 21356 | 1997 | " Shaft..... |
| 21205 | 1975 | " " Bushing (front)..... |
| 448c | 1979 | " " " " Set Screw..... |
| 21206 | 1975 | " " Flanged Bushing (back)..... |
| 978f | 1989 | " " " " " Set Screw..... |
| 144d | 1989 | " Shaft Screw..... |
| 21207 | 1976 | " Side Cap..... |
| 219b | 1989 | " " " Screw..... |
| 21349 | 1997 | " " Cover..... |
| 146b | 1996 | " " " Screw..... |
| 21210 | — | " Top Cover..... |
| 21211 | 1976 | Arm Top Cover complete, Nos. 21210, 29507 and 29601..... |
| 21202 | 1988 | Arm Top Cover Friction Washer..... |
| 82b | 1989 | " " " Hinge Screw..... |
| 29507 | 1996 | " " " Spool Pin and Thread Eyelet..... |
| 29601 | 1996 | Arm Top Cover Spool Pin and Thread Eyelet Washer (steel)..... |
| 11241 | 1976 | Arm Top Cover Spool Pin Washer (cloth)..... |
| 21212 | 1975 | Balance Wheel, light rim, 2½ in. pulley, with two 448c..... |
| 21330 | 1997 | Balance Wheel (stand) heavy rim, 2½ in. pulley, with two 448c..... |
| 448c | 1979 | Balance Wheel Set Screw..... |
| 21213 | 1976 | Cloth Plate with four 1602E..... |
| 21214 | 1976 | " " Bracket..... |
| 159d | 1989 | " " " Screw..... |
| 691f | 1981 | " " " Screw..... |
| 21357 | 1997 | Crank Connecting Rod with 21358 and two 1057E..... |
| *21358 | — | Crank Connecting Rod Cap..... |
| 1057E | 1989 | " " " " Screw..... |
| 908c | 1996 | " " " Hinge Screw..... |
| 1619E | 1996 | " " " " " Nut..... |
| 21217 | 1976 | Face Plate with two 2827..... |
| 190d | 1981 | " " " Screw..... |
| 2827 | 1979 | " " Thread Guard with 8505..... |
| 8505 | 1979 | " " " Rivet..... |
| 286d | 1989 | " " Thumb Screw..... |
| 21218 | 1978 | Feed Bar with 21219 and two 337d..... |
| 21219 | 1978 | " " Plate..... |
| 337d | 1978 | " " " Screw..... |
| 313c | 1978 | " " " Screw Centre..... |
| 1519E | 1978 | " " " " Nut..... |
| 21221 | 1981 | " Dog, for banding..... |

| NO. | PLATE | NAME |
|--------|-------|--|
| 21223 | 1982 | Feed Dog, for corded collars..... |
| 21224 | — | " " " " 1/16 in. stitch..... |
| 792c | 1989 | " " " Screw..... |
| *21230 | — | " Eccentric..... |
| 1106c | 1978 | " " Adjusting Screw..... |
| 21331 | 1996 | " " Pressure Spring..... |
| 21332 | 1996 | " " " " Cap..... |
| 934d | 1996 | " " " " " Screw..... |
| 196f | 1996 | " " Set Screw..... |
| *21231 | — | " Lifting Eccentric..... |
| 446c | 1978 | " " " Set Screw..... |
| 21232 | 1978 | " and Feed Lifting Eccentric (adjust- able) Nos. 196f, 934d, 1106c, 21230, 21231, 21331, 21332 and two 446c... |
| 21233 | 1977 | Feed Lifting Rock Shaft..... |
| 21234 | 1975 | " " " " Connecting Link with 914c..... |
| 914c | 1978 | Feed Lifting Rock Shaft Connecting Link Clamping Screw..... |
| 21235 | 1977 | Feed Lifting Rock Shaft Connecting Rod with 21236 and two 896E..... |
| *21236 | — | Feed Lifting Rock Shaft Connecting Rod Cap..... |
| 896E | 1996 | Feed Lifting Rock Shaft Connecting Rod Cap Screw..... |
| 377c | 1989 | Feed Lifting Rock Shaft Connecting Rod Hinge Screw..... |
| 1518E | 1989 | Feed Lifting Rock Shaft Connecting Rod Hinge Screw Nut..... |
| 21237 | 1978 | Feed Lifting Rock Shaft Crank with 914e and 1816..... |
| 199b | 1978 | Feed Lifting Rock Shaft Crank Cap Screw |
| 914E | 1978 | " " " " " Clamping Screw..... |
| 1816 | 1978 | Feed Lifting Rock Shaft Crank Roller and Stud..... |
| 21238 | 1975 | Feed Rock Shaft..... |
| 21239 | — | Feed Rock Shaft complete, Nos. 21238 and 21240..... |
| 21240 | 1975 | Feed Rock Shaft Crank with 157E..... |
| 157E | 1989 | " " " " Clamping Screw... |
| 21241 | 1977 | " " " " Connecting Rod with 21236 and two 1057E..... |
| *21236 | — | Feed Rock Shaft Crank Connecting Rod Cap..... |
| 1057E | 1989 | Feed Rock Shaft Crank Connecting Rod Cap Screw..... |

| NO. | PLATE | NAME |
|-------|-------|--|
| 375c | 1989 | Feed Rock Shaft Crank Connecting Rod Hinge Screw..... |
| 1518E | 1989 | Feed Rock Shaft Crank Connecting Rod Hinge Screw Nut..... |
| 307c | 1989 | Feed Rock Shaft Screw Centre..... |
| 1513J | 1989 | " " " " " Nut..... |
| 26682 | 1992 | Guide (combination)..... |
| 939D | 1989 | " Thumb Screw..... |
| 1602E | 1989 | " " " Nut..... |
| 21243 | 1979 | Needle Bar with 857H..... |
| 21245 | 1979 | " " Bushing..... |
| 448c | 1979 | " " " Set Screw..... |
| 21246 | 1979 | " " Connecting Link with 794E..... |
| 794E | 1979 | " " " " Adjusting Screw..... |
| 1021E | 1979 | Needle Bar Connecting Link Cap Screw..... |
| 21247 | 1979 | " " " Stud with 207E..... |
| 207E | 1979 | " " " " Clamping Screw..... |
| 21248 | 1977 | Needle Bar Crank with 858c, 1036c, 1037c and 1065c..... |
| 1065c | 1989 | Needle Bar Crank Position Screw..... |
| 858c | 1989 | " " " Set Screw..... |
| 21360 | 1996 | " " Hole Plug..... |
| 29532 | 1996 | " " Oil Cup..... |
| 857H | 1979 | " Set Screw..... |
| 21336 | 1997 | Oscillating Rock Shaft..... |
| 21337 | — | Oscillating Rock Shaft complete, Nos. 4784, 21251 and 21336..... |
| 21251 | 1977 | Oscillating Rock Shaft Hinge Pin..... |
| 448c | 1979 | " " " " " Set Screw..... |
| 4784 | 1980 | " " " Oil Pad..... |
| 21252 | 1977 | " Shaft..... |
| 21253 | 1978 | " " Bushing (back)..... |
| 21254 | 1978 | " " " (front)..... |
| 21333 | — | " " Crank..... |
| 21334 | 1996 | Oscillating Shaft Crank complete, Nos. 462c, 1636E, 21333 and 24050..... |
| 2269 | 1979 | Oscillating Shaft Crank Pin..... |
| 462c | 1987 | " " " Set Screw..... |
| 19448 | 1987 | " " " Slide Block..... |
| 229D | 1987 | " " " " " Cap Screw..... |
| 12424 | 1987 | Oscillating Shaft Crank Slide Block Cap Screw Washer..... |
| 1035c | 1987 | Oscillating Shaft Crank Slide Block Screw Stud..... |

| NO. | PLATE | NAME |
|-------|-------|--|
| 1636E | 1987 | Oscillating Shaft Crank Slide Block Screw Stud Nut..... |
| 24050 | 1987 | Oscillating Shaft Crank Slide Block complete, Nos. 229D, 1035c, 12424 and 19448..... |
| 21320 | 1977 | Presser Bar..... |
| 21321 | — | Presser Bar complete with Adjustable Presser Foot, Nos. 185H, 336E, 21308 or 21309, 21320 and 21322..... |
| 20059 | 1980 | Presser Bar Guide Bracket with 453c..... |
| 453c | 1980 | " " " Set Screw..... |
| 21244 | 1980 | " " Lifter..... |
| 1081c | 1980 | " " " Screw..... |
| 1520E | 1980 | " " " " Nut..... |
| 21256 | 1980 | " " Lifting and Releasing Lever Bracket..... |
| 21257 | 1977 | Presser Bar Spring (heavy)..... |
| 21323 | 1977 | " " " (light)..... |
| 11170 | 1979 | " " " Washer..... |
| 21308 | 1981 | " Foot, for banding, for 21321..... |
| 21311 | 1982 | " " for corded collars, for 21223..... |
| 21309 | 1981 | " " 1/4 in. needle slot, for running, for 21321..... |
| 21339 | — | Presser Foot, 1/2 in. needle slot, for running, for 21321..... |
| 21312 | — | Presser Foot, 3/4 in. needle slot, for running, for 21321..... |
| 21322 | 1981 | Presser Foot Guide (stationary)..... |
| 336E | 1981 | " " " Screw..... |
| 185H | 1981 | " " " Screw..... |
| 1082J | 1990 | Pressure Regulating Thumb Screw..... |
| 24051 | 1987 | Shuttle Bobbin..... |
| 16091 | 1987 | " " Case Latch..... |
| 16027 | 1987 | " " " " Lever..... |
| 2974 | 1987 | " " " " " Fulcrum Pin..... |
| 16092 | — | Shuttle Bobbin Case Hinge, Nos. 2974, 16027 and 16091..... |
| 2975 | 1987 | Shuttle Bobbin Case Latch Spring..... |
| 592E | 1987 | " " " " Stop Screw..... |
| 21258 | 1987 | " " " Position Finger..... |
| 2523 | 1987 | " " " " " Rivet..... |
| 21352 | 1998 | " " " " Plate..... |
| 391D | 1998 | " " " " " Screw..... |
| 21259 | 1987 | Shuttle Bobbin Case complete, Nos. 591E, 592E, 2523, 2975, 16092, 21258 and 21261..... |
| 21260 | 1987 | Shuttle Body..... |
| 591E | 1987 | " Tension Regulating Screw..... |

| NO. | PLATE | NAME |
|--------|-------|---|
| 21261 | 1987 | Shuttle Tension Spring..... |
| 21262 | 1987 | Shuttle, 1 1/8 in. diam., Nos. 21259, 21260 and 24051..... |
| *21263 | — | Shuttle Driver with 462c..... |
| 21264 | 1987 | " " " two 462c..... |
| 2269 | 1979 | " " Pin..... |
| 462c | 1987 | " " Set Screw..... |
| 15032 | 1986 | " Race Back..... |
| 2532 | 1979 | " " " Position Pin..... |
| 2533 | 1986 | " " " Spring..... |
| 648d | 1989 | " " " Screw..... |
| 21353 | — | " " Body..... |
| 21369 | — | " " " 21353 with 21352 and two 391d..... |
| 21354 | 1998 | Shuttle Race complete, Nos. 648d, 2533, 15032, 21369 and two 2532..... |
| 145d | 1989 | Shuttle Race Screw..... |
| 21267 | 1980 | Slack Thread Regulator..... |
| 231f | 1980 | " " " Adjusting Screw.. |
| 2921 | 1988 | Tension Disc..... |
| 1560c | 1988 | " Regulating Thumb Nut..... |
| 20037 | 1988 | " Releaser..... |
| 21268 | 1988 | " Releasing Lever..... |
| 86d | 1988 | " " " Hinge Screw..... |
| 12329 | 1988 | " " " Spring..... |
| 1018c | 1988 | " Screw Stud..... |
| 20061 | 1988 | " " " Bushing..... |
| 418c | 1979 | " " " " Set Screw.... |
| 20062 | 1988 | " " " Flange..... |
| 20063 | 1988 | " " " Collar..... |
| 8238 | 1988 | " Spring..... |
| 21269 | 1988 | Thread Eyelet (side of arm)..... |
| 21306 | 1988 | " Guard (side of arm)..... |
| 21270 | 1979 | " Take-up Crank..... |
| 1037c | 1989 | " " " Position Screw.... |
| 1036c | 1989 | " " " Set Screw..... |
| 21271 | 1979 | " " Lever..... |
| 12166 | 1979 | " " " Hinge Pin..... |
| 21272 | 1979 | " " " Link..... |
| 21273 | 1979 | " " " " Hinge Pin.... |
| 435c | 1979 | " " " " " " Set Screw..... |
| 21274 | — | Thread Take-up Lever complete, Nos. 12166, 21271 and 21272..... |
| 21362 | 1996 | Thread Take-up Spring..... |
| 21278 | 1981 | Throat Plate, small needle hole, for 21221.. |
| 21281 | 1982 | " " " " " " 21223.. |

| NO. | PLATE | NAME |
|-------|-------|--|
| 21282 | — | Throat Plate, small needle hole, for 21221.. |
| 691f | 1981 | " " Screw..... |
| 21324 | 1993 | Drip Pan..... |

MACHINE No. 63-2

FOR SHIRTS, LINEN AND COTTON GOODS, DROP FEED
(OBSOLETE)

This Machine is the same as 63-1 with
the following exceptions:

| NO. | PLATE | NAME |
|---|-------|---|
| 21220 | 1981 | Feed Dog, in place of 21221..... |
| 21225 | 1982 | " " for shirt work..... |
| 26567 | 1992 | Guide, in place of 26682..... |
| 21242 | 1977 | Presser Bar, in place of 21321..... |
| 21307 | 1981 | " Foot..... |
| 21314 | — | " " 3/16 in. gauge and above, for collars and cuffs..... |
| NOTE: When ordering 21314 give width of turned edge from seam. | | |
| 21338 | — | Presser Foot with long left toe..... |
| 21315 | — | " " " Strip Guide, for collars and cuffs..... |
| 190d | 1981 | Presser Foot Screw..... |
| 21276 | — | Throat Plate, large needle hole, for 21220.. |
| 21277 | 1981 | " " small needle hole, for 21220, in place of 21278..... |
| 21283 | 1982 | Throat Plate, large needle hole, for 21225.. |
| 21284 | — | " " small needle hole, for 21225.. |

MACHINE No. 63-3

FOR UNDERCLOTHING, DRESSMAKING AND GENERAL
WORK, DROP FEED
(OBSOLETE)

This Machine is the same as 63-1 with
the following exceptions:

| NO. | PLATE | NAME |
|-------|-------|--|
| 21222 | 1981 | Feed Dog, for general work, in place of 21221..... |
| 21226 | 1982 | Feed Dog, two teeth at left of needle, square corner..... |

| NO. | PLATE | NAME |
|-------|-------|--|
| 26567 | 1992 | Guide, in place of 26882 |
| 21242 | 1977 | Presser Bar, in place of 21321 |
| 21310 | 1981 | " Foot, for general work |
| 21340 | --- | " " " 21226 |
| 190d | 1981 | " " Screw |
| 21279 | 1981 | Throat Plate, large needle hole, for 21222 |
| 21280 | --- | " " small needle hole, for 21222, in place of 21278 |
| 21285 | 1982 | Throat Plate, large needle hole, for 21226 |
| 21286 | --- | " " small needle hole, for 21226 |

LIST OF PARTS COMPLETE

FOR

MACHINE No. 63-4

FOR RUNNING AND BANDING COLLARS AND CUFFS.
ADJUSTABLE PRESSER FOOT, DROP FEED

| NO. | PLATE | NAME |
|--------|-------|--|
| *21355 | ---- | Arm, upper and lower (solid) |
| 11119 | 1979 | " Oil Tube with 29599, for oiling 21271 and 21272 |
| 29599 | 1996 | Arm Oil Tube Packing (felt) |
| 21356 | 1997 | " Shaft |
| 21205 | 1975 | " " Bushing (front) |
| 448c | 1979 | " " " " Set Screw |
| 21206 | 1975 | " " Flanged Bushing (back) |
| 978f | 1989 | " " " " " Set Screw |
| 144d | 1989 | Arm Shaft Screw |
| 21207 | 1976 | " Side Cap |
| 219d | 1989 | " " " Screw |
| 21341 | 1997 | " " Cover |
| 146d | 1996 | " " " Screw |
| 21210 | --- | " Top Cover |
| 21211 | 1976 | Arm Top Cover complete, Nos. 21210, 29507 and 29601 |
| 21202 | 1988 | Arm Top Cover Friction Washer |
| 82d | 1989 | " " " Hinge Screw |
| 29507 | 1996 | " " " Spool Pin and Thread Eyelet |
| 29601 | 1996 | Arm Top Cover Spool Pin and Thread Eyelet Washer (steel) |
| 11241 | 1976 | Arm Top Cover Spool Pin Washer (cloth) |
| 21212 | 1975 | Balance Wheel, light rim, 2½ in. pulley, with two 448c |
| 21330 | 1997 | Balance Wheel (stand) heavy rim, 2½ in. pulley, with two 448c |
| 448c | 1979 | Balance Wheel Set Screw |
| 21213 | 1976 | Cloth Plate with four 1602E |
| 21214 | 1976 | " " Bracket |
| 159d | 1989 | " " " Screw |
| 691f | 1981 | " " " Screw |
| 21357 | 1997 | Crank Connecting Rod with 21358 and two 1057E |

| NO. | PLATE | NAME |
|--------|-------|---|
| *21358 | — | Crank Connecting Rod Cap..... |
| 1057E | 1989 | “ “ “ “ Screw..... |
| 908C | 1996 | “ “ “ “ Hinge Screw..... |
| 1619E | 1996 | “ “ “ “ “ Nut..... |
| 21217 | 1976 | Face Plate with two 2827..... |
| 190D | 1981 | “ “ “ “ Screw..... |
| 2827 | 1979 | “ “ “ “ Thread Guard with 8505..... |
| 8505 | 1979 | “ “ “ “ “ Rivet..... |
| 286D | 1989 | “ “ “ “ “ Thumb Screw..... |
| 21218 | 1978 | Feed Bar with 21219 and two 337D..... |
| 21219 | 1978 | “ “ “ “ Plate..... |
| 337D | 1978 | “ “ “ “ “ Screw..... |
| 313C | 1978 | “ “ “ “ “ Screw Centre..... |
| 1519E | 1978 | “ “ “ “ “ Nut..... |
| 21221 | 1981 | “ “ “ “ “ Dog, for banding..... |
| 21223 | 1982 | “ “ “ “ “ corded collars..... |
| 21224 | — | “ “ “ “ “ 1/8 in. stitch..... |
| 792C | 1989 | “ “ “ “ “ Screw..... |
| 21342 | 1997 | “ “ “ “ “ and Feed Lifting Eccentric with two 448C..... |
| 448C | 1979 | Feed and Feed Lifting Eccentric Set Screw..... |
| 21233 | 1977 | “ “ “ “ “ Lifting Rock Shaft..... |
| 21234 | 1975 | “ “ “ “ “ Connecting Link with 914C..... |
| 914C | 1978 | Feed Lifting Rock Shaft Connecting Link Clamping Screw..... |
| 21235 | 1977 | Feed Lifting Rock Shaft Connecting Rod with 21236 and two 896E..... |
| *21236 | — | Feed Lifting Rock Shaft Connecting Rod Cap..... |
| 896E | 1996 | Feed Lifting Rock Shaft Connecting Rod Cap Screw..... |
| 377C | 1989 | Feed Lifting Rock Shaft Connecting Rod Hinge Screw..... |
| 1518E | 1989 | Feed Lifting Rock Shaft Connecting Rod Hinge Screw Nut..... |
| 21237 | 1978 | Feed Lifting Rock Shaft Crank with 1814E and 1816..... |
| 199D | 1978 | Feed Lifting Rock Shaft Crank Cap Screw..... |
| 914E | 1978 | “ “ “ “ “ Clamping Screw..... |
| 1816 | 1978 | Feed Lifting Rock Shaft Crank Roller and Stud..... |
| 21343 | 1996 | Feed Regulator..... |
| 45D | 1996 | “ “ “ “ “ Hinge Screw..... |
| 21344 | 1996 | “ “ “ “ “ Slide Block..... |
| 771B | 1996 | “ “ “ “ “ Thumb Screw..... |

| NO. | PLATE | NAME |
|--------|-------|---|
| 21351 | 1996 | Feed Regulator Thumb Screw Stop..... |
| 21238 | 1975 | “ “ “ “ “ Rock Shaft..... |
| 21364 | — | Feed Rock Shaft complete, Nos. 21238 and 21348..... |
| 21345 | 1996 | Feed Rock Shaft Connecting Link with 207D..... |
| 21346 | 1996 | Feed Rock Shaft Connecting Link Hinge Pin..... |
| 207D | 1979 | Feed Rock Shaft Connecting Link Hinge Pin Set Screw..... |
| 21348 | 1997 | Feed Rock Shaft Crank with 164D..... |
| 164D | 1996 | “ “ “ “ “ Clamping Screw..... |
| 21347 | 1997 | “ “ “ “ “ Connecting Rod with 175D, 21236 and two 896E..... |
| 175D | 1996 | Feed Rock Shaft Crank Connecting Rod Adjusting Screw..... |
| *21236 | — | Feed Rock Shaft Crank Connecting Rod Cap..... |
| 896E | 1996 | Feed Rock Shaft Crank Connecting Rod Cap Screw..... |
| 1273C | 1996 | Feed Rock Shaft Crank Connecting Rod Hinge Screw..... |
| 1517E | 1996 | Feed Rock Shaft Crank Connecting Rod Hinge Screw Nut..... |
| 307C | 1989 | Feed Rock Shaft Screw Centre..... |
| 1513A | 1989 | “ “ “ “ “ “ Nut..... |
| 26682 | 1992 | Guide (combination)..... |
| 939D | 1989 | “ “ “ “ “ “ Thumb Screw..... |
| 1602E | 1989 | “ “ “ “ “ “ Nut..... |
| 21243 | 1979 | Needle Bar with 857H..... |
| 21245 | 1979 | “ “ “ “ “ “ Bushing..... |
| 448C | 1979 | “ “ “ “ “ “ Set Screw..... |
| 21246 | 1979 | “ “ “ “ “ “ Connecting Link with 794E..... |
| 794E | 1979 | “ “ “ “ “ “ Adjusting Screw..... |
| 1021E | 1979 | Needle Bar Connecting Link Cap Screw..... |
| 21247 | 1979 | “ “ “ “ “ “ Stud with 207E..... |
| 207E | 1979 | “ “ “ “ “ “ Clamping Screw..... |
| 21248 | 1977 | Needle Bar Crank with 858C, 1036C, 1037C and 1065C..... |
| 1065C | 1989 | Needle Bar Crank Position Screw..... |
| 858C | 1989 | “ “ “ “ “ “ Set Screw..... |
| 21360 | 1996 | “ “ “ “ “ “ Hole Plug..... |
| 29532 | 1996 | “ “ “ “ “ “ Oil Cup..... |
| 857H | 1979 | “ “ “ “ “ “ Set Screw..... |
| 21336 | 1997 | Oscillating Rock Shaft..... |

| NO. | PLATE | NAME |
|-------|-------|---|
| 21337 | — | Oscillating Rock Shaft complete, Nos. 4784, 21251 and 21336 |
| 21251 | 1977 | Oscillating Rock Shaft Hinge Pin |
| 448c | 1979 | " " " " " Set Screw |
| 4784 | 1980 | " " " Oil Pad |
| 21252 | 1977 | " Shaft |
| 21253 | 1978 | " " Bushing (back) |
| 21254 | 1978 | " " " (front) |
| 21333 | — | " " Crank |
| 21334 | 1996 | Oscillating Shaft Crank complete, Nos. 462c, 1636E, 21333 and 24050 |
| 2269 | 1979 | Oscillating Shaft Crank Pin |
| 462c | 1987 | " " " Set Screw |
| 19448 | 1987 | " " " Slide Block |
| 229d | 1987 | " " " " " Cap Screw |
| 12424 | 1987 | Oscillating Shaft Crank Slide Block Cap Screw Washer |
| 1035c | 1987 | Oscillating Shaft Crank Slide Block Screw Stud |
| 1636E | 1987 | Oscillating Shaft Crank Slide Block Screw Stud Nut |
| 24050 | 1987 | Oscillating Shaft Crank Slide Block complete, Nos. 229d, 1035c, 12424 and 19448 |
| 21320 | 1977 | Presser Bar |
| 21321 | — | Presser Bar complete with Adjustable Presser Foot, Nos. 185H, 336F, 21308 or 21309, 21320 and 21322 |
| 20059 | 1980 | Presser Bar Guide Bracket with 453c |
| 453c | 1980 | " " " " " Set Screw |
| 21244 | 1980 | " " " Lifter |
| 1081c | 1980 | " " " " " Screw |
| 1520E | 1980 | " " " " " Nut |
| 21256 | 1980 | " " " Lifting and Releasing Lever Bracket |
| 21257 | 1977 | Presser Bar Spring (heavy) |
| 21323 | 1977 | " " " (light) |
| 11170 | 1979 | " " " Washer |
| 21308 | 1981 | " Foot, for banding, for 21231 |
| 21311 | 1982 | " " " corded collars, for 21223 |
| 21309 | 1981 | " " " 1/4 in. needle slot, for running, for 21321 |
| 21339 | — | Presser Foot, 1/2 in. needle slot, for running, for 21321 |
| 21312 | — | Presser Foot, 3/4 in. needle slot, for running, for 21321 |
| 21322 | 1981 | Presser Foot Guide (stationary) |

| NO. | PLATE | NAME |
|--------|-------|---|
| 336F | 1981 | Presser Foot Guide Screw |
| 185H | 1981 | " " " Screw |
| 1082j | 1990 | Pressure Regulating Thumb Screw |
| 24051 | 1987 | Shuttle Bobbin |
| 16091 | 1987 | " " " Case Latch |
| 16027 | 1987 | " " " " " Lever |
| 2974 | 1987 | " " " " " Fulcrum Pin |
| 16092 | — | Shuttle Bobbin Case Hinge, Nos. 2974, 16027 and 16091 |
| 2975 | 1987 | Shuttle Bobbin Case Latch Spring |
| 592E | 1987 | " " " " " Stop Screw |
| 21258 | 1987 | " " " " " Position Finger |
| 2523 | 1987 | " " " " " Rivet |
| 21352 | 1998 | " " " " " Plate |
| 391D | 1998 | " " " " " Screw |
| 21259 | 1987 | Shuttle Bobbin Case complete, Nos. 591F, 592E, 2523, 2975, 16092, 21258 and 21261 |
| 21260 | 1987 | Shuttle Body |
| 591F | 1987 | " Tension Regulating Screw |
| 21261 | 1987 | " " Spring |
| 21262 | 1987 | Shuttle, 1 1/8 in. diam, Nos. 21259, 21260 and 24051 |
| *21263 | — | Shuttle Driver with 462c |
| 21264 | 1987 | " " " two 462c |
| 2269 | 1979 | " " " Pin |
| 462c | 1987 | " " " Set Screw |
| 15032 | 1986 | " Race Back |
| 2532 | 1979 | " " " Position Pin |
| 2533 | 1986 | " " " Spring |
| 648d | 1989 | " " " " " Screw |
| 21353 | — | " " " Body |
| 21369 | — | " " " 21353 with 21352 and two 391d |
| 21354 | 1998 | Shuttle Race complete, Nos. 648d, 2533, 15032, 21369 and two 2532 |
| 145D | 1989 | Shuttle Race Screw |
| 21267 | 1980 | Slack Thread Regulator |
| 231F | 1980 | " " " Adjusting Screw |
| 2921 | 1988 | Tension Disc |
| 1560c | 1988 | " Regulating Thumb Nut |
| 20037 | 1988 | " Releaser |
| 21268 | 1988 | " Releasing Lever |
| 86D | 1988 | " " " Hinge Screw |
| 12329 | 1988 | " " " Spring |
| 1018c | 1988 | " Screw Stud |
| 20061 | 1988 | " " " Bushing |

| NO. | PLATE | NAME |
|-------|-------|---|
| 448c | 1979 | Tension Screw Stud Bushing Set Screw... |
| 20062 | 1988 | " " " Flange..... |
| 20063 | 1988 | " " " " Collar..... |
| 8238 | 1988 | " Spring..... |
| 21269 | 1988 | Thread Eyelet (side of arm)..... |
| 21306 | 1988 | " Guard (side of arm)..... |
| 21270 | 1979 | " Take-up Crank..... |
| 1037c | 1989 | " " " Position Screw..... |
| 1036c | 1989 | " " " Set Screw..... |
| 21271 | 1979 | " " " Lever..... |
| 12166 | 1979 | " " " Hinge Pin..... |
| 21272 | 1979 | " " " Link..... |
| 21273 | 1979 | " " " " Hinge Pin..... |
| 435c | 1979 | " " " " " " Set Screw..... |
| 21274 | --- | Thread Take-up Lever complete, Nos. 12166, 21271 and 21272..... |
| 21362 | 1996 | Thread Take-up Spring..... |
| 21278 | 1981 | Throat Plate, small needle hole, for 21221..... |
| 21281 | 1982 | " " " " " " 21223..... |
| 21282 | --- | " " " " " " 21224..... |
| 691F | 1981 | " " Screw..... |
| 21324 | 1993 | Drip Pan..... |

MACHINE No. 63-5

FOR SHIRTS, LINEN AND COTTON GOODS, DROP FEED

This Machine is the same as 63-4 with the following exceptions:

| NO. | PLATE | NAME |
|-------|-------|--|
| 21220 | 1981 | Feed Dog, in place of 21221..... |
| 21225 | 1982 | " " for shirt work..... |
| 21350 | 1996 | " Regulator Thumb Screw Stop, in place of 21351..... |
| 26567 | 1992 | Guide, in place of 26682..... |
| 21242 | 1977 | Presser Bar, in place of 21321..... |
| 21307 | 1981 | " Foot..... |
| 21314 | --- | " " $\frac{3}{16}$ in. gauge and above, for collars and cuffs..... |

NOTE: When ordering 21314 give width of turned edge from seam.

| | | |
|-------|------|---|
| 21338 | --- | Presser Foot with long left toe..... |
| 21315 | --- | " " " Strip Guide, for collars and cuffs..... |
| 190D | 1981 | Presser Foot Screw..... |

| NO. | PLATE | NAME |
|-------|-------|--|
| 21276 | --- | Throat Plate, large needle hole, for 21220..... |
| 21277 | 1981 | " " small needle hole, for 21220, in place of 21278..... |
| 21283 | 1982 | Throat Plate, large needle hole, for 21225..... |
| 21284 | --- | " " small needle hole, for 21225..... |

MACHINE No. 63-6

FOR UNDERCLOTHING, DRESSMAKING, ETC., DROP FEED

This Machine is the same as 63-4 with the following exceptions:

| NO. | PLATE | NAME |
|-------|-------|--|
| 21222 | 1981 | Feed Dog, general work, in place of 21221..... |
| 21226 | 1982 | " " two teeth at left of needle, square corner..... |
| 21227 | 1982 | Feed Dog, for shirts, collars and cuffs..... |
| 21350 | 1996 | " Regulator Thumb Screw Stop for 21222, in place of 21351..... |
| 26567 | 1992 | Guide, in place of 26682..... |
| 21242 | 1977 | Presser Bar, in place of 21321..... |
| 21310 | 1981 | " Foot, for general work..... |
| 21340 | --- | " " " 21226..... |
| 190D | 1981 | " " Screw..... |
| 21279 | 1981 | Throat Plate, large needle hole, for 21222..... |
| 21280 | --- | " " small needle hole, for 21222, in place of 21278..... |
| 21285 | 1982 | Throat Plate, large needle hole, for 21226..... |
| 21286 | --- | " " small needle hole, for 21226..... |
| 21287 | --- | " " " " " " 21227..... |

ACCESSORIES

| NO. | PLATE | NAME |
|--------|-------|---|
| 938E | 1990 | Bolt with 1524E, to secure machine to table..... |
| 601E | 1996 | Bolt with 1524E, to secure machine to table on Stand 25247..... |
| 1524E | 1989 | Bolt Nut..... |
| 6055 | 1988 | " " Washer..... |
| 4718 | 1991 | Machine Rest (felt)..... |
| 36578 | 1992 | Oiler (copper plated) with 36579..... |
| 36579 | 1992 | " Spout, 3 $\frac{1}{2}$ in. long, with 120117..... |
| 120117 | 1992 | " " Washer (leather)..... |

| NO. | PLATE | NAME |
|-------|-------|-----------------------------|
| 26026 | 1992 | Screw Driver (machine)..... |
| 26485 | 1992 | " " (shuttle tension)..... |
| 8908 | 1992 | Wrench for 1520..... |
| 8909 | 1992 | " " 1513 and 1518..... |

FELLER (Foot)

| NO. | PLATE | NAME |
|-------|-------|---|
| 26752 | 1995 | Feller (foot) for 63-2, 63-3, 63-5 and 63-6 Machines..... |

GUIDES

| NO. | PLATE | NAME |
|-------|-------|--|
| 28955 | 1992 | Guide, for 1¼ in. seaming..... |
| 26682 | 1992 | " (combination) for 63-1 and 63-4 Machines..... |
| 26567 | 1992 | Guide for 63-2, 63-3, 63-5 and 63-6 Machines..... |
| 35105 | 1994 | Guide for 35108, for 63-6 Machine..... |
| 35106 | 1994 | " (thin) for guiding the material close to the needle, for 35110, for 63-6 Machine.. |

HEMMERS

| NO. | PLATE | NAME |
|-------|-------|---|
| 26717 | — | Hemmer (foot) for 1/16 in. hem, for 21220 and 21222..... |
| 36160 | — | Hemmer (foot) for 3/32 in. hem, for 21220 and 21222..... |
| 36605 | — | Hemmer (foot) for 3/32 in. hem, for umbrella work, for 21220 and 21222..... |
| 93553 | 1981 | Hemmer (foot) for 1/8 in. hem, for 21220 and 21222..... |
| 36161 | — | Hemmer (foot) for 5/32 in. hem, for 21220 and 21222..... |
| 36076 | — | Hemmer (foot) for 3/16 in. hem, for 21220 and 21222..... |
| 36366 | — | Hemmer (foot) for 3/32 in. hem, for 21220 and 21222..... |
| 36073 | — | Hemmer (foot) for 1/4 in. hem, for 21220 and 21222..... |
| 35017 | — | Hemmer, for 1/16 in. hem, for 26706..... |
| 28983 | 1994 | " " 3/32 in. hem, for 26706..... |
| 26720 | — | " " 1/8 in. hem, for 26706..... |

| NO. | PLATE | NAME |
|-------|-------|--|
| 26949 | — | Hemmer, for 5/32 in. hem, for 26706..... |
| 26753 | — | " " 3/16 in. hem, for 26706..... |
| 26706 | 1994 | " Body..... |
| 25916 | 1981 | " Folder..... |
| 25888 | 1981 | " Tongue..... |

NOTE: When ordering 25888 or 25916 give width of hem for which it is required.

PRESSER FEET

| NO. | PLATE | NAME |
|-------|-------|--|
| 26721 | 1995 | Presser Foot, for gathering, for 63-2 and 63-5 Machines..... |
| 28904 | 1982 | Presser Foot Spring Guide..... |
| 665D | 1982 | " " " " Screw..... |
| 28905 | 1982 | " " (spring guide) with 665D and 28904, for 63-3 and 63-6 Machines.... |
| 21313 | 1995 | Presser Foot with 228D..... |
| 26942 | — | " " Extension, 1/16 in..... |
| 26943 | — | " " " 1/8 in..... |
| 26944 | 1995 | " " " 1/4 in..... |
| 26945 | — | " " " 3/8 in..... |
| 26946 | — | " " " 1/2 in..... |
| 228D | 1996 | " " " Screw..... |
| 26947 | 1995 | " " Strip Gauge..... |

PRESSER FEET (Glass Plate)

| NO. | PLATE | NAME |
|-------|-------|--|
| 26706 | 1994 | Presser Foot Body..... |
| 26608 | 1994 | " " Plate (glass)..... |
| 26707 | — | Presser Foot (glass plate) complete for 63-2 and 63-5 Machines, Nos. 26608 and 26706..... |
| 35107 | 1994 | Presser Foot Plate (glass)..... |
| 35108 | — | Presser Foot (glass plate) complete for 35105, for 63-6 Machine, Nos. 26706 and 35107..... |
| 35109 | 1994 | Presser Foot Plate (glass)..... |
| 35110 | — | Presser Foot (glass plate) complete for 35106, for 63-6 Machine, Nos. 26706 and 35109..... |

BOBBIN WINDER

| NO. | PLATE | NAME |
|-------|-------|---|
| 15072 | 1979 | Bobbin Position Pin..... |
| 21316 | 1991 | Bracket with 7958..... |
| 692D | 1990 | " Screw..... |
| 12169 | 1991 | Frame..... |
| 12171 | 1991 | Frame complete, Nos. 333D, 5960, 5961, 5963, 12169 and 15077..... |
| 32D | 1989 | Frame Hinge Screw..... |
| 5960 | 1991 | Friction Wheel (leather)..... |
| 5961 | 1991 | " " Washer..... |
| 333D | 1989 | " " " Screw..... |
| 15077 | 1991 | Spindle with 15072..... |
| 5963 | 1991 | " Flange..... |
| 27323 | 1991 | Spool Pin..... |
| 27772 | 1988 | " " Collar with 759F..... |
| 759F | 1988 | " " " Thumb Screw..... |
| 27307 | — | " Stand..... |
| 27773 | 1991 | Spool Stand with Tension complete, Nos. 418E, 1562J, 2106, 10141, 27307, 27323, 27772, wood screw 1 in. No. 10 and two each 2455 and 4718..... |
| 4718 | 1991 | Spool Washer (felt)..... |
| 21317 | 1991 | Spring..... |
| 180F | 1989 | " Screw..... |
| 21318 | 1991 | Stop Latch with 152D and 1550J..... |
| 152D | 1989 | " " Adjusting Screw..... |
| 1550J | 1989 | " " " " Nut..... |
| 75D | 1989 | " " Hinge Screw..... |
| 27303 | 1988 | " " Spring..... |
| 7958 | 1979 | " " Stop Pin..... |
| 2455 | 1988 | Tension Disc..... |
| 1562J | 1988 | " Regulating Thumb Nut..... |
| 418E | 1988 | " Screw Stud..... |
| 10141 | 1988 | " Spring..... |
| 2106 | 1980 | " Thread Guide..... |
| 21370 | — | Bobbin Winder, Nos. 32D, 75D, 180F, 12171, 21316 to 21318 and 27303..... |
| 21319 | — | Bobbin Winder complete, Nos. 21370 and 27773..... |

FOOT LIFTER PARTS

| NO. | PLATE | NAME |
|------|-------|--|
| 5670 | — | Chain, length 26 in. to 35 in., with 56864 and 56865..... |

NOTE: When ordering 5670 give length required

FOOT LIFTER PARTS

| NO. | PLATE | NAME |
|-------|-------|--|
| 4879 | 1991 | Chain Connecting Link..... |
| 56864 | 1997 | " Hook (large)..... |
| 56865 | 1996 | " " (small)..... |
| 21300 | 1975 | Lifting Lever with 448c..... |
| 21325 | 1993 | " " Connecting Rod..... |
| 12416 | 1980 | " " " " Joint..... |
| 76D | 1980 | " " " " " Hinge Screw..... |
| 1521E | 1980 | Lifting Lever Connecting Rod Lock Nut.. |
| 1064D | 1989 | " " Hinge Screw..... |
| 21301 | 1980 | " " Link..... |
| 766D | 1980 | " " " Hinge Screw..... |
| 21302 | 1980 | " " Pin..... |
| 448c | 1979 | " " " Set Screw..... |
| 21303 | 1975 | " " Spring..... |
| 4881 | 1993 | Treadle..... |
| 4882 | 1991 | " Shaft..... |
| 4883 | 1991 | " Spring..... |
| 4884 | 1993 | " Stand..... |
| 4885 | 1993 | Treadle complete, Nos. 4879, 4881 to 4884 and two wood screws 1 in. No. 16..... |
| 21326 | — | Foot Lifter complete, Nos. 76D, 766D, 1064D, 1521E, 4885, 5670, 12416, 21300 to 21303 and 21325..... |

KNEE LIFTER PARTS

FOR POWER TABLE

| NO. | PLATE | NAME |
|-------|-------|--|
| 21300 | 1975 | Lifting Lever with 448c..... |
| 21325 | 1993 | " " Connecting Rod..... |
| 12416 | 1980 | " " " " Joint..... |
| 76D | 1980 | " " " " " Hinge Screw..... |
| 1521E | 1980 | Lifting Lever Connecting Rod Lock Nut.. |
| 1064D | 1989 | " " Hinge Screw..... |
| 21301 | 1980 | " " Link..... |
| 766D | 1980 | " " " Hinge Screw..... |
| 21302 | 1980 | " " Pin..... |
| 448c | 1979 | " " " Set Screw..... |
| 21303 | 1975 | " " Spring..... |
| 7124 | 1993 | Rock Shaft..... |
| 2764 | 1993 | " " Hanger with two wood screws 1 in. No. 10..... |
| 6335 | 1993 | Rock Shaft Knee Arm..... |

KNEE LIFTER PARTS

| NO. | PLATE | NAME |
|-------|-------|---|
| 6336 | — | Rock Shaft Knee Arm complete, Nos. 2766, 2767 and 6335 |
| 2766 | 1993 | Rock Shaft Knee Arm Hub with 356c |
| 356c | 1990 | " " " " " Set Screw |
| 2767 | 1993 | " " " " " Plate with 356c |
| 356c | 1990 | " " " " " Set Screw |
| 6337 | 1993 | " " " " " Lifting Bracket with two 356c |
| 7125 | 1993 | " " " " " Hook |
| 356c | 1990 | " " " " " Set Screw |
| 356c | 1990 | " " " " " Set Screw |
| 2770 | 1993 | " " " " " Stop Dog with 356c |
| 356c | 1990 | " " " " " Set Screw |
| 7126 | 1993 | Rock Shaft complete, Nos. 2770, 6336, 6337, 7124, 7125 and two 2764 |
| 21304 | — | Knee Lifter complete, Nos. 76D, 766D, 1064D, 1521E, 7126, 12416, 21300 to 21303 and 21325 |

KNEE LIFTER PARTS

FOR STAND

| NO. | PLATE | NAME |
|-------|-------|---|
| 21300 | 1975 | Lifting Lever with 448c |
| 21325 | 1993 | " " " " " Connecting Rod |
| 12416 | 1980 | " " " " " Joint |
| 76D | 1980 | " " " " " Hinge Screw |
| 1521E | 1980 | Lifting Lever Connecting Rod Lock Nut |
| 1064D | 1989 | " " " " " Hinge Screw |
| 21301 | 1980 | " " " " " Link |
| 766D | 1980 | " " " " " Hinge Screw |
| 21302 | 1980 | " " " " " Pin |
| 448c | 1979 | " " " " " Set Screw |
| 21303 | 1975 | " " " " " Spring |
| 20091 | 1993 | Rock Shaft |
| 12242 | 1993 | " " " " " Hanger (back) with two wood screws 1 in. No. 10 |
| 21327 | 1993 | Rock Shaft Hanger (front) with two wood screws 1 in. No. 10 |
| 6335 | 1993 | Rock Shaft Knee Arm |
| 6336 | — | Rock Shaft Knee Arm complete, Nos. 2766, 2767 and 6335 |
| 2766 | 1993 | Rock Shaft Knee Arm Hub with 356c |
| 356c | 1990 | " " " " " Set Screw |
| 2767 | 1993 | " " " " " Plate with 356c |

KNEE LIFTER PARTS

| NO. | PLATE | NAME |
|-------|-------|--|
| 356c | 1990 | Rock Shaft Knee Plate Set Screw |
| 6337 | 1993 | " " " " " Lifting Bracket with two 356c |
| 7125 | 1993 | " " " " " Hook |
| 356c | 1990 | " " " " " Set Screw |
| 356c | 1990 | " " " " " Set Screw |
| 2770 | 1993 | " " " " " Stop Dog with 356c |
| 356c | 1990 | " " " " " Set Screw |
| 21328 | — | Rock Shaft complete, Nos. 6336, 6337, 7125, 12242, 20091, 21327 and two 2770 |
| 21329 | — | Knee Lifter complete, Nos. 76D, 766D, 1064D, 1521E, 12416, 21300 to 21303, 21325 and 21328 |

STAND

ROCKING TREADLE, TRANSVERSE BAND WHEEL

| NO. | PLATE | NAME |
|-------|-------|---|
| 25301 | 3811 | Band Wheel, 16 in. diam., with 972c |
| 25379 | 3811 | " " " " " Bracket with 983c and 1614E |
| 1118D | 3812 | " " " " " Screw |
| 25380 | 3811 | " " " " " Crank |
| 983c | 3812 | " " " " " Screw Centre |
| 1614E | 3812 | " " " " " Nut |
| 972c | 3812 | " " " " " Set Screw |
| 25016 | — | Belt, size 1/4 in., length 69 1/2 in., with 25127 |
| 25127 | 3812 | " " " " " Hook |
| 25381 | 3811 | Brace with two 46629 |
| 506E | 3812 | " " " " " Bolt with 1510E |
| 1510E | 3812 | " " " " " Nut |
| 25064 | 3811 | Leg |
| 25383 | — | Pitman Adjusting Block |
| 558E | 3812 | " " " " " Screw |
| 1570E | 3812 | " " " " " Nut |
| 25075 | 3812 | " " " " " Washer |
| 25382 | 3811 | Pitman (adjustable) complete with two each 558E, 1570E, 25075 and 25383 |
| 25160 | 3812 | Pitman Ball Joint Stud |
| 25384 | 3811 | Treadle |
| 297c | 3812 | " " " " " Screw Centre |
| 46629 | — | " " " " " 297c with 1507J |
| 1507J | 3812 | " " " " " Nut |
| 25086 | 3811 | Wrench for 1507, 1510 and 1614 |
| 25200 | 3811 | " " " " " 972 |
| 25247 | — | Stand (iron work) complete, Nos. 25086, 25160, 25200, 25301, 25379 to 25382, 25384, two each 1118E, 25064 and four 506E |

THREAD UNWINDER

FOR ONE SMALL SPOOL

| NO. | PLATE | NAME |
|-------|-------|--|
| 11107 | 1999 | Spool Pin |
| 27791 | 1999 | " Rest with 446c and 11107 |
| 27792 | 1999 | " Weight |
| 2455 | 1988 | Tension Disc |
| 1562j | 1988 | " Regulating Thumb Nut |
| 27793 | 1999 | " Rod |
| 446c | 1978 | " " Set Screw |
| 418E | 1988 | " Screw Stud |
| 10141 | 1988 | " Spring |
| 27794 | 1999 | Thread Unwinder complete, Nos. 418E, 1562j, 10141, 27791 to 27793 and two each 2455 and wood screws $\frac{3}{4}$ in. No. 10 |

OBSOLETE PARTS

| NO. | PLATE | NAME |
|--------|-------|---|
| *21201 | --- | Arm, upper and lower (solid) for 63-1 to 63-3 Machines |
| 21204 | 1975 | Arm Shaft for 63-1 to 63-3 Machines |
| 446c | 1978 | " " Bushing (front) Set Screw |
| 21208 | 1975 | " Side Cover for 63-1 to 63-3 Machines. |
| 286D | 1989 | " " " Thumb Screw |
| 21209 | 1980 | " Spool Pin and Thread Eyelet for 21211, use 29507 |
| 21215 | 1977 | Crank Connecting Rod with 21216 and two 1057E, for 63-1 to 63-3 Machines |
| *21216 | --- | Crank Connecting Rod Cap |
| 375c | 1989 | " " " Hinge Screw |
| 1518E | 1989 | " " " " " Nut |
| 21305 | 1979 | Needle Bar Hole Plug for 63-1 to 63-3 Machines, use 21360 |
| 21249 | 1977 | Oscillating Rock Shaft |
| 21250 | --- | Oscillating Rock Shaft complete, Nos. 4784, 21249 and 21251 |
| 446c | 1978 | Oscillating Rock Shaft Hinge Pin Set Screw |
| 24048 | --- | " Shaft Crank |
| 24049 | 1987 | Oscillating Shaft Crank complete, Nos. 462c, 1636E, 24048 and 24050 |
| 860E | 1989 | Presser Bar Plug Screw |
| 21265 | --- | Shuttle Race Body |
| 21266 | 1986 | Shuttle Race complete, Nos. 648D, 2533, 15032, 21265 and two 2532, use 21354 |
| 21275 | 1988 | Thread Take-up Spring |

NUMERICAL LIST OF PARTS

FOR
MACHINES
Nos. 63-1 to 63-6

NUMERICAL LIST OF PARTS

| NO. | PLATE | NAME |
|------|-------|--|
| 32d | 1989 | Bobbin Winder Frame Hinge Screw for 21370..... |
| 45d | 1996 | Feed Regulator Hinge Screw for 63-4 to 63-6 Machines..... |
| 75d | 1989 | Bobbin Winder Stop Latch Hinge Screw for 21370..... |
| 76d | 1980 | Lifting Lever Connecting Rod Joint Hinge Screw for 21304, 21326 and 21329..... |
| 82d | 1989 | Arm Top Cover Hinge Screw..... |
| 86d | 1988 | Tension Releasing Lever Hinge Screw..... |
| 144d | 1989 | Arm Shaft Screw..... |
| 145d | 1989 | Shuttle Race Screw..... |
| 146d | 1996 | Arm Side Cover Screw..... |
| 152d | 1989 | Bobbin Winder Stop Latch Adjusting Screw for 21318..... |
| 157e | 1989 | Feed Rock Shaft Crank Clamping Screw for 21240, obsolete..... |
| 159d | 1980 | Cloth Plate Bracket Screw..... |
| 161d | 1996 | Feed Rock Shaft Crank Clamping Screw for 21348..... |
| 175d | 1996 | Feed Rock Shaft Crank Connecting Rod Adjusting Screw for 21347..... |
| 180f | 1989 | Bobbin Winder Spring Screw for 21370..... |
| 185h | 1981 | Presser Foot Screw for 21321..... |
| 190b | 1981 | Face Plate Screw..... |
| 190d | 1981 | Presser Foot Screw for 63-2, 63-3, 63-5 and 63-6 Machines..... |
| 196f | 1996 | Feed Eccentric Set Screw for 21232, obsolete..... |
| 199d | 1978 | Feed Lifting Rock Shaft Crank Cap Screw |
| 207d | 1979 | “ Rock Shaft Connecting Link Hinge Pin Set Screw for 21345..... |
| 207e | 1979 | Needle Bar Connecting Stud Clamping Screw for 21247..... |
| 219d | 1989 | Arm Side Cap Screw..... |
| 228d | 1996 | Presser Foot Extension Screw for 21313 |
| 229d | 1987 | Oscillating Shaft Crank Slide Block Cap Screw for 24050..... |
| 231f | 1980 | Slack Thread Regulator Adjusting Screw.. |
| 286d | 1989 | Face Plate Thumb Screw..... |
| 286d | 1989 | Arm Side Cover Thumb Screw, obsolete. |
| 297c | 3812 | Treadle Screw Centre for 46629..... |

NUMERICAL LIST OF PARTS

| NO. | PLATE | NAME |
|------|-------|---|
| 307c | 1989 | Feed Rock Shaft Screw Centre..... |
| 313c | 1978 | " Bar Screw Centre..... |
| 333d | 1989 | Bobbin Winder Friction Wheel Washer Screw for 12171..... |
| 336f | 1981 | Presser Foot Guide Screw for 21321..... |
| 337d | 1978 | Feed Bar Plate Screw for 21218..... |
| 356c | 1990 | Rock Shaft Knee Arm Hub Set Screw for 2766..... |
| 356c | 1990 | Rock Shaft Knee Plate Set Screw for 2767 |
| 356c | 1990 | " " Lifting Bracket Hook Set Screw for 6337..... |
| 356c | 1990 | Rock Shaft Lifting Bracket Set Screw for 6337..... |
| 356c | 1990 | Rock Shaft Stop Dog Set Screw for 2770.. |
| 375c | 1989 | Crank Connecting Rod Hinge Screw, obsolete..... |
| 375c | 1989 | Feed Rock Shaft Crank Connecting Rod Hinge Screw for 63-1 to 63-3 Machines, obsolete..... |
| 377c | 1989 | Feed Lifting Rock Shaft Connecting Rod Hinge Screw..... |
| 391d | 1998 | Shuttle Bobbin Case Position Plate Screw for 21369..... |
| 418e | 1988 | Bobbin Winder Tension Screw Stud for 27773..... |
| 418e | 1988 | Thread Unwinder Tension Screw Stud for 27794..... |
| 435c | 1979 | Thread Take-up Lever Link Hinge Pin Set Screw..... |
| 446c | 1978 | Feed Lifting Eccentric Set Screw for 21232, obsolete..... |
| 446c | 1978 | Arm Shaft Bushing (front) Set Screw, obsolete..... |
| 446c | 1978 | Oscillating Rock Shaft Hinge Pin Set Screw, obsolete..... |
| 446c | 1978 | Thread Unwinder Tension Rod Set Screw for 27791..... |
| 448c | 1979 | Arm Shaft Bushing (front) Set Screw.... |
| 448c | 1979 | Balance Wheel Set Screw for 21212 and 21330..... |
| 448c | 1979 | Feed and Feed Lifting Eccentric Set Screw for 21342..... |
| 448c | 1979 | Lifting Lever Pin Set Screw for 21300.... |
| 448c | 1979 | Needle Bar Bushing Set Screw..... |
| 448c | 1979 | Oscillating Rock Shaft Hinge Pin Set Screw |
| 448c | 1979 | Tension Screw Stud Bushing Set Screw.. |
| 453c | 1980 | Presser Bar Guide Bracket Set Screw for 20059..... |

NUMERICAL LIST OF PARTS

| NO. | PLATE | NAME |
|------|-------|--|
| 462c | 1987 | Oscillating Shaft Crank Set Screw for 21334 and 24019..... |
| 462c | 1987 | Shuttle Driver Set Screw for 21263 and 21264..... |
| 506e | 3812 | Brace Bolt with 1510e, for 25247..... |
| 558e | 3812 | Pitman Adjusting Screw for 25382..... |
| 591f | 1987 | Shuttle Tension Regulating Screw for 21259..... |
| 592e | 1987 | Shuttle Bobbin Case Latch Stop Screw for 21259..... |
| 601e | 1996 | Bolt with 1524e, to secure machine to table on Stand 25247 (Accessories)..... |
| 648d | 1989 | Shuttle Race Back Spring Screw for 21266 and 21354..... |
| 665d | 1982 | Presser Foot Spring Guide Screw for 28905 |
| 691f | 1981 | Cloth Plate Screw..... |
| 691f | 1981 | Throat Plate Screw..... |
| 692d | 1990 | Bobbin Winder Bracket Screw..... |
| 759f | 1988 | " " Spool Pin Collar Thumb Screw for 27772..... |
| 766d | 1980 | Lifting Lever Link Hinge Screw for 21304, 21326 and 21329..... |
| 771d | 1996 | Feed Regulator Thumb Screw for 63-4 to 63-6 Machines..... |
| 792c | 1989 | Feed Dog Screw..... |
| 794e | 1979 | Needle Bar Connecting Link Adjusting Screw for 21246..... |
| 857h | 1979 | Needle Set Screw for 21243..... |
| 858c | 1989 | Needle Bar Crank Set Screw for 21248.... |
| 860e | 1989 | Presser Bar Plug Screw, obsolete..... |
| 896e | 1996 | Feed Lifting Rock Shaft Connecting Rod Cap Screw for 21235..... |
| 896e | 1996 | Feed Rock Shaft Crank Connecting Rod Cap Screw for 21347..... |
| 908c | 1996 | Crank Connecting Rod Hinge Screw..... |
| 914c | 1978 | Feed Lifting Rock Shaft Connecting Link Clamping Screw for 21234..... |
| 914e | 1978 | Feed Lifting Rock Shaft Crank Clamping Screw for 21237..... |
| 934d | 1996 | Feed Eccentric Pressure Spring Cap Screw for 21232, obsolete..... |
| 938e | 1990 | Bolt with 1524e, to secure machine to table (Accessories)..... |
| 939d | 1989 | Guide Thumb Screw..... |
| 972c | 3812 | Band Wheel Set Screw for 25301..... |
| 978e | 1989 | Arm Shaft Flanged Bushing (back) Set Screw..... |

NUMERICAL LIST OF PARTS

| NO. | PLATE | NAME |
|-------|-------|--|
| 983c | 3812 | Band Wheel Crank Screw Centre for 25379 |
| 1018c | 1988 | Tension Screw Stud |
| 1021E | 1979 | Needle Bar Connecting Link Cap Screw |
| 1035c | 1987 | Oscillating Shaft Crank Slide Block Screw Stud for 24050 |
| 1036c | 1989 | Thread Take-up Crank Set Screw for 21248 |
| 1037c | 1989 | " " " Position Screw for 21248 |
| 1057E | 1989 | Crank Connecting Rod Cap Screw for 21215 and 21357 |
| 1057E | 1989 | Feed Rock Shaft Crank Connecting Rod Cap Screw for 21241, obsolete |
| 1064d | 1989 | Lifting Lever Hinge Screw for 21304, 21326 and 21329 |
| 1065c | 1989 | Needle Bar Crank Position Screw for 21248 |
| 1081c | 1980 | Presser Bar Lifter Screw |
| 1082j | 1990 | Pressure Regulating Thumb Screw |
| 1106c | 1978 | Feed Eccentric Adjusting Screw for 21232, obsolete |
| 1118E | 3812 | Band Wheel Bracket Screw for 25247 |
| 1273c | 1996 | Feed Rock Shaft Crank Connecting Rod Hinge Screw for 63-4 to 63-6 Machines |
| 1507j | 3812 | Treadle Screw Centre Nut for 46629 |
| 1510E | 3812 | Brace Bolt Nut for 506 |
| 1513j | 1989 | Feed Rock Shaft Screw Centre Nut |
| 1517E | 1996 | " " " Crank Connecting Rod Hinge Screw Nut for 63-4 to 63-6 Machines |
| 1518E | 1989 | Feed Lifting Rock Shaft Connecting Rod Hinge Screw Nut |
| 1518E | 1989 | Feed Rock Shaft Crank Connecting Rod Hinge Screw Nut for 63-1 to 63-3 Machines, obsolete |
| 1518E | 1989 | Crank Connecting Rod Hinge Screw Nut, obsolete |
| 1519E | 1978 | Feed Bar Screw Centre Nut |
| 1520E | 1980 | Presser Bar Lifter Screw Nut |
| 1521E | 1980 | Lifting Lever Connecting Rod Lock Nut for 21304, 21326 and 21329 |
| 1524E | 1989 | Bolt Nut for 601 and 938 (Accessories) |
| 1550j | 1989 | Bobbin Winder Stop Latch Adjusting Screw Nut for 21318 |
| 1560c | 1988 | Tension Regulating Thumb Nut |
| 1562j | 1988 | Bobbin Winder Tension Regulating Thumb Nut for 27773 |
| 1562j | 1988 | Thread Unwinder Tension Regulating Thumb Nut for 27794 |

NUMERICAL LIST OF PARTS

| NO. | PLATE | NAME |
|----------------------------|-------|--|
| 1570E | 3812 | Pitman Adjusting Screw Nut for 25382 |
| 1602E | 1989 | Guide Thumb Screw Nut for 21213 |
| 1614E | 3812 | Band Wheel Crank Screw Centre Nut for 25379 |
| 1619E | 1996 | Crank Connecting Rod Hinge Screw Nut |
| 1636E | 1987 | Oscillating Shaft Crank Slide Block Screw Stud Nut for 21334 and 24049 |
| 1816 | 1978 | Feed Lifting Rock Shaft Crank Roller and Stud for 21237 |
| 2106 | 1980 | Bobbin Winder Tension Thread Guide for 27773 |
| 2269 | 1979 | Oscillating Shaft Crank Pin |
| 2269 | 1979 | Shuttle Driver Pin |
| 2455 | 1988 | Bobbin Winder Tension Disc for 27773 |
| 2455 | 1988 | Thread Unwinder Tension Disc for 27794 |
| 2523 | 1987 | Shuttle Bobbin Case Position Finger Rivet for 21259 |
| 2532 | 1979 | Shuttle Race Back Position Pin for 21266 and 21354 |
| 2533 | 1986 | Shuttle Race Back Spring for 21266 and 21354 |
| 2764 | 1993 | Rock Shaft Hanger with two wood screws 1 in. No. 10, for 7126 |
| 2766 | 1993 | Rock Shaft Knee Arm Hub with 356c, for 6336 |
| 2767 | 1993 | Rock Shaft Knee Plate with 356c, for 6336 |
| 2770 | 1993 | Rock Shaft Stop Dog with 356c, for 7126 and 21328 |
| 2827 | 1979 | Face Plate Thread Guard with 8505, for 21217 |
| 2921 | 1988 | Tension Disc |
| 2974 | 1987 | Shuttle Bobbin Case Latch Lever Fulcrum Pin for 16092 |
| 2975 | 1987 | Shuttle Bobbin Case Latch Spring for 21259 |
| 4718 | 1991 | Bobbin Winder Spool Washer (felt) for 27773 |
| 4718 | 1991 | Machine Rest, felt (Accessories) |
| 4784 | 1980 | Oscillating Rock Shaft Oil Pad for 21250 and 21337 |
| 4879 | 1991 | Chain Connecting Link for 4885 |
| Nos. 4881 to 4884 for 4885 | | |
| 4881 | 1993 | Treadle |
| 4882 | 1991 | " Shaft |
| 4883 | 1991 | " Spring |
| 4884 | 1993 | " Stand |

NUMERICAL LIST OF PARTS

| NO. | PLATE | NAME |
|-------|-------|---|
| 4885 | 1993 | Treadle complete for 21326, Nos. 4879, 4881 to 4884 and two wood screws 1 in. No. 16. |
| 5670 | — | Chain, length 26 in. to 35 in., with 56864 and 56865, for 21326. |
| 5960 | 1991 | Bobbin Winder Friction Wheel (leather) for 12171. |
| 5961 | 1991 | Bobbin Winder Friction Wheel Washer for 12171. |
| 5963 | 1991 | Bobbin Winder Spindle Flange for 12171 |
| 6055 | 1988 | Bolt Nut Washer (Accessories). |
| 6335 | 1993 | Rock Shaft Knee Arm for 6336. |
| 6336 | — | Rock Shaft Knee Arm complete for 7126 and 21328, Nos. 2766, 2767 and 6335. |
| 6337 | 1993 | Rock Shaft Lifting Bracket with two 356c, for 7126 and 21328. |
| 7124 | 1993 | Rock Shaft for 7126. |
| 7125 | 1993 | " " Lifting Bracket Hook for 7126 and 21328. |
| 7126 | 1993 | Rock Shaft complete for 21304, Nos. 2770, 6336, 6337, 7124, 7125 and two 2764. |
| 7958 | 1979 | Bobbin Winder Stop Latch Stop Pin for 21316. |
| 8238 | 1988 | Tension Spring. |
| 8505 | 1979 | Face Plate Thread Guard Rivet for 2827. |
| 8908 | 1992 | Wrench for 1520 (Accessories). |
| 8909 | 1992 | " " 1513 and 1518 (Accessories). |
| 10141 | 1988 | Bobbin Winder Tension Spring for 27773. |
| 10141 | 1988 | Thread Unwinder Tension Spring for 27794 |
| 11107 | 1999 | " " Spool Pin for 27791. |
| 11119 | 1979 | Arm Oil Tube with 29599, for oiling 21271 and 21272. |
| 11170 | 1979 | Presser Bar Spring Washer. |
| 11241 | 1976 | Arm Top Cover Spool Pin Washer (cloth) |
| 12166 | 1979 | Thread Take-up Lever Hinge Pin for 21274 |
| 12169 | 1991 | Bobbin Winder Frame for 12171. |
| 12171 | 1991 | Bobbin Winder Frame complete for 21370, Nos. 333d, 5960, 5961, 5963, 12169 and 15077. |
| 12242 | 1993 | Rock Shaft Hanger (back) with two wood screws 1 in. No. 10, for 21328. |
| 12329 | 1988 | Tension Releasing Lever Spring. |
| 12416 | 1980 | Lifting Lever Connecting Rod Joint for 21304, 21326 and 21329. |
| 12424 | 1987 | Oscillating Shaft Crank Slide Block Cap Screw Washer for 24050. |
| 15032 | 1986 | Shuttle Race Back for 21266 and 21354. |

NUMERICAL LIST OF PARTS

| NO. | PLATE | NAME |
|--------|-------|---|
| 15072 | 1979 | Bobbin Winder Bobbin Position Pin for 15077. |
| 15077 | 1991 | Bobbin Winder Spindle with 15072, for 12171. |
| 16027 | 1987 | Shuttle Bobbin Case Latch Lever for 16092 |
| 16091 | 1987 | " " " " for 16092. |
| 16092 | — | Shuttle Bobbin Case Hinge for 21259, Nos. 2974, 16027 and 16091. |
| 19448 | 1987 | Oscillating Shaft Crank Slide Block for 24050. |
| 20037 | 1988 | Tension Releaser. |
| 20059 | 1980 | Presser Bar Guide Bracket with 453c. |
| 20061 | 1988 | Tension Screw Stud Bushing. |
| 20062 | 1988 | " " " Flange. |
| 20063 | 1988 | " " " " Collar. |
| 20091 | 1993 | Rock Shaft for 21328. |
| *21201 | — | Arm, upper and lower (solid) for 63-1 to 63-3 Machines, obsolete. |
| 21202 | 1988 | Arm Top Cover Friction Washer. |
| 21204 | 1975 | " Shaft for 63-1 to 63-3 Machines, obsolete. |
| 21205 | 1975 | Arm Shaft Bushing (front). |
| 21206 | 1975 | " " Flanged Bushing (back). |
| 21207 | 1976 | " Side Cap. |
| 21208 | 1975 | " " Cover for 63-1 to 63-3 Machines, obsolete. |
| 21209 | 1980 | Arm Spool Pin and Thread Eyelet for 21211, obsolete, use 29507. |
| 21210 | — | Arm Top Cover for 21211. |
| 21211 | 1976 | Arm Top Cover complete, Nos. 21210, 29507 and 29601. |
| 21212 | 1975 | Balance Wheel, light rim, 2½ in. pulley, with two 448c. |
| 21213 | 1976 | Cloth Plate with four 1602E. |
| 21214 | 1976 | " " Bracket. |
| 21215 | 1977 | Crank Connecting Rod with 21216 and two 1057E, for 63-1 to 63-3 Machines, obsolete. |
| *21216 | — | Crank Connecting Rod Cap for 21215, obsolete. |
| 21217 | 1976 | Face Plate with two 2827. |
| 21218 | 1978 | Feed Bar with 21219 and two 337d. |
| 21219 | 1978 | " " Plate for 21218. |
| 21220 | 1981 | " Dog for 63-2 and 63-5 Machines. |
| 21221 | 1981 | " " banding, for 63-1 and 63-4 Machines. |
| 21222 | 1981 | Feed Dog, for general work, for 63-3 and 63-6 Machines. |

| NO. | PLATE | NAME |
|--------|-------|--|
| 21223 | 1982 | Feed Dog, for corded collars, for 63-1 and 63-4 Machines. |
| 21224 | — | Feed Dog, $\frac{1}{8}$ in. stitch, for 63-1 and 63-4 Machines. |
| 21225 | 1982 | Feed Dog, for shirt work, for 63-2 and 63-5 Machines. |
| 21226 | 1982 | Feed Dog, two teeth at left of needle, square corner, for 63-3 and 63-6 Machines. |
| 21227 | 1982 | Feed Dog, for shirts, collars and cuffs, for 63-6 Machine. |
| *21230 | — | Feed Eccentric for 21232, obsolete. |
| *21231 | — | " Lifting Eccentric for 21232, obsolete. |
| 21232 | 1978 | Feed and Feed Lifting Eccentric (adjustable) Nos. 196F, 934D, 1106c, 21230, 21231, 21331, 21332 and two 446c, for 63-1 to 63-3 Machines, obsolete. |
| 21233 | 1977 | Feed Lifting Rock Shaft. |
| 21234 | 1975 | " " " " Connecting Link with 914c. |
| 21235 | 1977 | Feed Lifting Rock Shaft Connecting Rod with 21236 and two 896E. |
| *21236 | — | Feed Lifting Rock Shaft Connecting Rod Cap for 21235. |
| *21236 | — | Feed Rock Shaft Crank Connecting Rod Cap for 21241 and 21347. |
| 21237 | 1978 | Feed Lifting Rock Shaft Crank with 914E and 1816. |
| 21238 | 1975 | Feed Rock Shaft for 21239 and 21364. |
| 21239 | — | Feed Rock Shaft complete for 63-1 to 63-3 Machines, Nos. 21238 and 21240, obsolete. |
| 21240 | 1975 | Feed Rock Shaft Crank with 157E, for 21239, obsolete. |
| 21241 | 1977 | Feed Rock Shaft Crank Connecting Rod with 21236 and two 1057E, for 63-1 to 63-3 Machines, obsolete. |
| 21242 | 1977 | Presser Bar for 63-2, 63-3, 63-5 and 63-6 Machines. |
| 21243 | 1979 | Needle Bar with 857H. |
| 21244 | 1980 | Presser Bar Lifter. |
| 21245 | 1979 | Needle Bar Bushing. |
| 21246 | 1979 | " " Connecting Link with 794E. |
| 21247 | 1979 | " " Stud with 207E. |
| 21248 | 1977 | " " Crank with 858c, 1036c, 1037c and 1065c. |
| 21249 | 1977 | Oscillating Rock Shaft for 21250, obsolete. |

| NO. | PLATE | NAME |
|--------|-------|--|
| 21250 | — | Oscillating Rock Shaft complete for 63-1 to 63-3 Machines, Nos. 4784, 21249 and 21251, obsolete. |
| 21251 | 1977 | Oscillating Rock Shaft Hinge Pin for 21250 and 21337. |
| 21252 | 1977 | Oscillating Shaft. |
| 21253 | 1978 | " " Bushing (back). |
| 21254 | 1978 | " " " (front). |
| 21256 | 1980 | Presser Bar Lifting and Releasing Lever Bracket. |
| 21257 | 1977 | Presser Bar Spring (heavy). |
| 21258 | 1987 | Shuttle Bobbin Case Position Finger for 21259. |
| 21259 | 1987 | Shuttle Bobbin Case complete for 21262, Nos. 591E, 592E, 2523, 2975, 16092, 21258 and 21261. |
| 21260 | 1987 | Shuttle Body for 21262. |
| 21261 | 1987 | " Tension Spring for 21259. |
| 21262 | 1987 | Shuttle, $1\frac{1}{4}$ in. diam., Nos. 21259, 21260 and 24051. |
| *21263 | — | Shuttle Driver with 462c. |
| 21264 | 1987 | " " " two 462c. |
| 21265 | — | " Race Body for 21266, obsolete. |
| 21266 | 1986 | Shuttle Race complete, Nos. 618D, 2533, 15032, 21265 and two 2532, obsolete, use 21354. |
| 21267 | 1980 | Slack Thread Regulator. |
| 21268 | 1988 | Tension Releasing Lever. |
| 21269 | 1988 | Thread Eyelet (side of arm). |
| 21270 | 1979 | " Take-up Crank. |
| 21271 | 1979 | " " Lever for 21274. |
| 21272 | 1979 | " " " Link for 21274. |
| 21273 | 1979 | " " " " Hinge Pin. |
| 21274 | — | Thread Take-up Lever complete, Nos. 12166, 21271 and 21272. |
| 21275 | 1988 | Thread Take-up Spring, obsolete. |
| 21276 | — | Throat Plate, large needle hole, for 21220. |
| 21277 | 1981 | " " small needle hole, for 21220. |
| 21278 | 1981 | " " " " " " 21221. |
| 21279 | 1981 | " " large needle hole, for 21222. |
| 21280 | — | " " small needle hole, for 21222. |
| 21281 | 1982 | " " " " " " 21223. |
| 21282 | — | " " " " " " 21224. |
| 21283 | 1982 | " " large needle hole, for 21225. |
| 21284 | — | " " small needle hole, for 21225. |
| 21285 | 1982 | " " large needle hole, for 21226. |
| 21286 | — | " " small needle hole, for 21226. |

NUMERICAL LIST OF PARTS

| NO. | PLATE | NAME |
|--|-------|---|
| 21287 | — | Throat Plate, small needle hole, for 21227 |
| Nos. 21300 TO 21303 FOR 21304, 21326 AND 21329 | | |
| 21300 | 1975 | Lifting Lever with 448c..... |
| 21301 | 1980 | “ “ Link..... |
| 21302 | 1980 | “ “ Pin..... |
| 21303 | 1975 | “ “ Spring..... |
| 21304 | — | Knee Lifter complete for power table, Nos. 76D, 766D, 1064D, 1521E, 7126, 12416, 21300 to 21303 and 21325..... |
| 21305 | 1979 | Needle Bar Hole Plug for 63-1 to 63-3 Machines, obsolete, use 21360..... |
| 21306 | 1988 | Thread Guard (side of arm)..... |
| 21307 | 1981 | Presser Foot for 63-2 and 63-5 Machines.. |
| 21308 | 1981 | “ “ “ banding, for 21321..... |
| 21309 | 1981 | “ “ ¼ in. needle slot, for running, for 21321..... |
| 21310 | 1981 | Presser Foot, for general work, for 63-3 and 63-6 Machines..... |
| 21311 | 1982 | Presser Foot, for corded collars, for 21223.. |
| 21312 | — | “ “ ¾ in needle slot, for running, for 21321..... |
| 21313 | 1995 | Presser Foot with 228D..... |
| 21314 | — | Presser Foot, ⅜ in. gauge and above, for collars and cuffs, for 63-2 and 63-5 Machines..... |
| 21315 | — | Presser Foot with Strip Guide, for collars and cuffs, for 63-2 and 63-5 Machines.. |
| Nos. 21316 TO 21318 FOR 21370 | | |
| 21316 | 1991 | Bobbin Winder Bracket with 7958..... |
| 21317 | 1991 | “ “ Spring..... |
| 21318 | 1991 | “ “ Stop Latch with 152D and 1550J..... |
| 21319 | — | Bobbin Winder complete, Nos. 21370 and 27773..... |
| 21320 | 1977 | Presser Bar for 21321..... |
| 21321 | — | Presser Bar complete with Adjustable Presser Foot for 63-1 and 63-4 Machines, Nos. 185H, 336F, 21308 or 21309, 21320 and 21322..... |
| 21322 | 1981 | Presser Foot Guide (stationary) for 21321 |
| 21323 | 1977 | “ Bar Spring (light)..... |
| 21324 | 1993 | Drip Pan..... |
| 21325 | 1993 | Lifting Lever Connecting Rod for 21304, 21326 and 21329..... |

NUMERICAL LIST OF PARTS

| NO. | PLATE | NAME |
|---|-------|---|
| 21326 | — | Foot Lifter complete, Nos. 76D, 766D, 1064D, 1521E, 4885, 5670, 12416, 21300 to 21303 and 21325..... |
| 21327 | 1993 | Rock Shaft Hanger (front) with two wood screws 1 in. No. 10, for 21328..... |
| 21328 | — | Rock Shaft complete for 21329, Nos. 6336, 6337, 7125, 12242, 20091, 21327 and two 2770..... |
| 21329 | — | Knee Lifter complete for Stand, Nos. 76D, 766D, 1064D, 1521E, 12416, 21300 to 21303, 21325 and 21328..... |
| 21330 | 1997 | Balance Wheel (stand) heavy rim, 2½ in. pulley, with two 448c..... |
| 21331 | 1996 | Feed Eccentric Pressure Spring for 21232, obsolete..... |
| 21332 | 1996 | Feed Eccentric Pressure Spring Cap for 21232, obsolete..... |
| 21333 | — | Oscillating Shaft Crank for 21334..... |
| 21334 | 1996 | Oscillating Shaft Crank complete, Nos. 462c, 1636E, 21333 and 24050..... |
| 21336 | 1997 | Oscillating Rock Shaft for 21337..... |
| 21337 | — | Oscillating Rock Shaft complete, Nos. 4784, 21251 and 21336..... |
| 21338 | — | Presser Foot with long left toe for 63-2 and 63-5 Machines..... |
| 21339 | — | Presser Foot, ½ in. needle slot, for running, for 21321..... |
| 21340 | — | Presser Foot for 21226..... |
| Nos. 21341 TO 21347 FOR 63-4 TO 63-6 MACHINES | | |
| 21341 | 1997 | Arm Side Cover..... |
| 21342 | 1997 | Feed and Feed Lifting Eccentric with two 448c..... |
| 21343 | 1996 | Feed Regulator..... |
| 21344 | 1996 | “ “ Slide Block..... |
| 21345 | 1996 | “ Rock Shaft Connecting Link with 207D..... |
| 21346 | 1996 | Feed Rock Shaft Connecting Link Hinge Pin..... |
| 21347 | 1997 | Feed Rock Shaft Crank Connecting Rod with 175D, 21236 and two 896E..... |
| 21348 | 1997 | Feed Rock Shaft Crank with 164D, for 21364..... |
| 21349 | 1997 | Arm Side Cover for 63-1 to 63-3 Machines, obsolete..... |

| NO. | PLATE | NAME |
|--------|-------|--|
| 21350 | 1996 | Feed Regulator Thumb Screw Stop for 63-5 Machine and for 21222 for 63-6 Machine. |
| 21351 | 1996 | Feed Regulator Thumb Screw Stop for 63-4 Machine. |
| 21352 | 1998 | Shuttle Bobbin Case Position Plate for 21369. |
| 21353 | — | Shuttle Race Body for 21369. |
| 21354 | 1998 | Shuttle Race complete, Nos. 648d, 2533, 15032, 21369 and two 2532. |
| *21355 | — | Arm, upper and lower (solid). |
| 21356 | 1997 | " Shaft. |
| 21357 | 1997 | Crank Connecting Rod with 21358 and two 1057e. |
| *21358 | — | Crank Connecting Rod Cap for 21357. |
| 21360 | 1996 | Needle Bar Hole Plug. |
| 21362 | 1996 | Thread Take-up Spring. |
| 21364 | — | Feed Rock Shaft complete for 63-4 to 63-6 Machines, Nos. 21238 and 21348. |
| 21369 | — | Shuttle Race Body 21353 with 21352 and two 391d, for 21354. |
| 21370 | — | Bobbin Winder for 21319, Nos. 32d, 75d, 180F, 12171, 21316 to 21318 and 27303. |
| 24048 | — | Oscillating Shaft Crank for 24049, obsolete. |
| 24049 | 1987 | Oscillating Shaft Crank complete, Nos. 462c, 1636e, 24048 and 24050, obsolete. |
| 24050 | 1987 | Oscillating Shaft Crank Slide Block complete for 21334 and 24049, Nos. 229d, 1035c, 12424 and 19448. |
| 24051 | 1987 | Shuttle Bobbin for 21262. |
| 25016 | — | Belt, size $\frac{1}{4}$ in., length 69 $\frac{1}{2}$ in., with 25127, for 25247. |
| 25064 | 3811 | Leg for 25247. |
| 25075 | 3812 | Pitman Adjusting Screw Washer for 25382. |
| 25086 | 3811 | Wrench for 1507, 1510 and 1614, for 25247. |
| 25127 | 3812 | Belt Hook for 25016. |
| 25160 | 3812 | Pitman Ball Joint Stud for 25247. |
| 25200 | 3811 | Wrench for 972, for 25247. |
| 25247 | — | Stand (iron work) rocking treadle, transverse band wheel, complete, Nos. 25086, 25160, 25200, 25301, 25379 to 25382, 25384, two each 1118e, 25064 and four 506e. |
| 25301 | 3811 | Band Wheel, 16 in. diam., with 972c, for 25247. |

| NO. | PLATE | NAME |
|-------|-------|---|
| | | Nos. 25379 to 25382 for 25247. |
| 25379 | 3811 | Band Wheel Bracket with 983c and 1614e. |
| 25380 | 3811 | " " Crank. |
| 25381 | 3811 | Brace with two 46629. |
| 25382 | 3811 | Pitman (adjustable) complete with two each 558e, 1570e, 25075 and 25383. |
| 25383 | — | Pitman Adjusting Block for 25382. |
| 25384 | 3811 | Treadle for 25247. |
| 25888 | 1981 | Hemmer Tongue. |
| 25916 | 1981 | " Folder. |
| 26026 | 1992 | Screw Driver, machine (Accessories). |
| 26485 | 1992 | " " shuttle tension (Accessories). |
| 26553 | 1981 | Hemmer (foot) for $\frac{1}{8}$ in. hem, for 21220 and 21222. |
| 26567 | 1992 | Guide for 63-2, 63-3, 63-5 and 63-6 Machines. |
| 26608 | 1994 | Presser Foot Plate (glass) for 26707. |
| 26682 | 1992 | Guide (combination) for 63-1 and 63-4 Machines. |
| 26706 | 1994 | Hemmer Body. |
| 26706 | 1994 | Presser Foot Body for 26707, 35108 and 35110. |
| 26707 | — | Presser Foot (glass plate) complete for 63-2 and 63-5 Machines, Nos. 26608 and 26706. |
| 26717 | — | Hemmer (foot) for $\frac{1}{16}$ in. hem, for 21220 and 21222. |
| 26720 | — | Hemmer, for $\frac{1}{8}$ in. hem, for 26706. |
| 26721 | 1995 | Presser Foot, for gathering, for 63-2 and 63-5 Machines. |
| 26752 | 1995 | Feller (foot) for 63-2, 63-3, 63-5 and 63-6 Machines. |
| 26753 | — | Hemmer, for $\frac{3}{16}$ in. hem, for 26706. |
| | | Nos. 26942 to 26947 for 21313. |
| 26942 | — | Presser Foot Extension, $\frac{1}{16}$ in. |
| 26943 | — | " " " $\frac{1}{8}$ in. |
| 26944 | 1995 | " " " $\frac{1}{4}$ in. |
| 26945 | — | " " " $\frac{3}{8}$ in. |
| 26946 | — | " " " $\frac{1}{2}$ in. |
| 26947 | 1995 | " " Strip Gauge. |
| 26949 | — | Hemmer, for $\frac{5}{2}$ in. hem, for 26706. |
| 27303 | 1988 | Bobbin Winder Stop Latch Spring for 21370. |
| 27307 | — | Bobbin Winder Spool Stand for 27773. |
| 27323 | 1991 | " " " Pin for 27773. |

NUMERICAL LIST OF PARTS

| NO. | PLATE | NAME |
|-------------------------------|-------|--|
| 27772 | 1988 | Bobbin Winder Spool Pin Collar with 759F, for 27773..... |
| 27773 | 1991 | Bobbin Winder Spool Stand with Tension complete for 21319, Nos. 418E, 1562J, 2106, 10141, 27307, 27323, 27772, wood screw 1 in. No. 10 and two each 2455 and 4718..... |
| Nos. 27791 to 27793 for 27794 | | |
| 27791 | 1999 | Thread Unwinder Spool Rest with 446c and 11107..... |
| 27792 | 1999 | Thread Unwinder Spool Weight..... |
| 27793 | 1999 | " " Tension Rod..... |
| 27794 | 1999 | Thread Unwinder complete, for one small spool, Nos. 418E, 1562J, 10141, 27791 to 27793 and two each 2455 and wood screws $\frac{3}{4}$ in. No. 10..... |
| 28904 | 1982 | Presser Foot Spring Guide for 28905..... |
| 28905 | 1982 | " " (spring guide) with 665b and 28904, for 63-3 and 63-6 Machines..... |
| 28955 | 1992 | Guide, for $1\frac{1}{4}$ in. seaming..... |
| 28983 | 1994 | Hemmer, for $\frac{3}{32}$ in. hem, for 26706..... |
| 29507 | 1996 | Arm Top Cover Spool Pin and Thread Eyelet for 21211..... |
| 29532 | 1996 | Needle Bar Oil Cup..... |
| 29599 | 1996 | Arm Oil Tube Packing (felt) for 11119..... |
| 29601 | 1996 | " Top Cover Spool Pin and Thread Eyelet Washer (steel) for 21211..... |
| 35017 | — | Hemmer, for $\frac{1}{8}$ in. hem, for 26706..... |
| 35105 | 1994 | Guide for 35108, for 63-6 Machine..... |
| 35106 | 1994 | " (thin) for guiding the material close to the needle, for 35110, for 63-6 Machine..... |
| 35107 | 1994 | Presser Foot Plate (glass) for 35108..... |
| 35108 | — | Presser Foot (glass plate) complete for 35105, for 63-6 Machine, Nos. 26706 and 35107..... |
| 35109 | 1994 | Presser Foot Plate (glass) for 35110..... |
| 35110 | — | Presser Foot (glass plate) complete for 35106, for 63-6 Machine, Nos. 26706 and 35109..... |
| 36073 | — | Hemmer (foot) for $\frac{1}{4}$ in. hem, for 21220 and 21222..... |
| 36076 | — | Hemmer (foot) for $\frac{3}{16}$ in. hem, for 21220 and 21222..... |
| 36160 | — | Hemmer (foot) for $\frac{3}{32}$ in. hem, for 21220 and 21222..... |

NUMERICAL LIST OF PARTS

| NO. | PLATE | NAME |
|--------|-------|---|
| 36161 | — | Hemmer (foot) for $\frac{5}{32}$ in. hem, for 21220 and 21222..... |
| 36366 | — | Hemmer (foot) for $\frac{7}{32}$ in. hem, for 21220 and 21222..... |
| 36578 | 1992 | Oiler (copper plated) with 36579 (Accessories)..... |
| 36579 | 1992 | Oiler Spout, $3\frac{1}{2}$ in. long, with 120117, for 36578..... |
| 36605 | — | Hemmer (foot) for $\frac{3}{32}$ in. hem, for umbrella work, for 21220 and 21222..... |
| 46629 | — | Treadle Screw Centre 297c with 1507J, for 25381..... |
| 56864 | 1997 | Chain Hook (large) for 5670..... |
| 56865 | 1996 | " " (small) for 5670..... |
| 120117 | 1992 | Oiler Spout Washer (leather) for 36579... |

ILLUSTRATIONS OF PARTS

FOR

MACHINES

Nos. 63-1 to 63-6

PLATE 1975—ONE-HALF SIZE

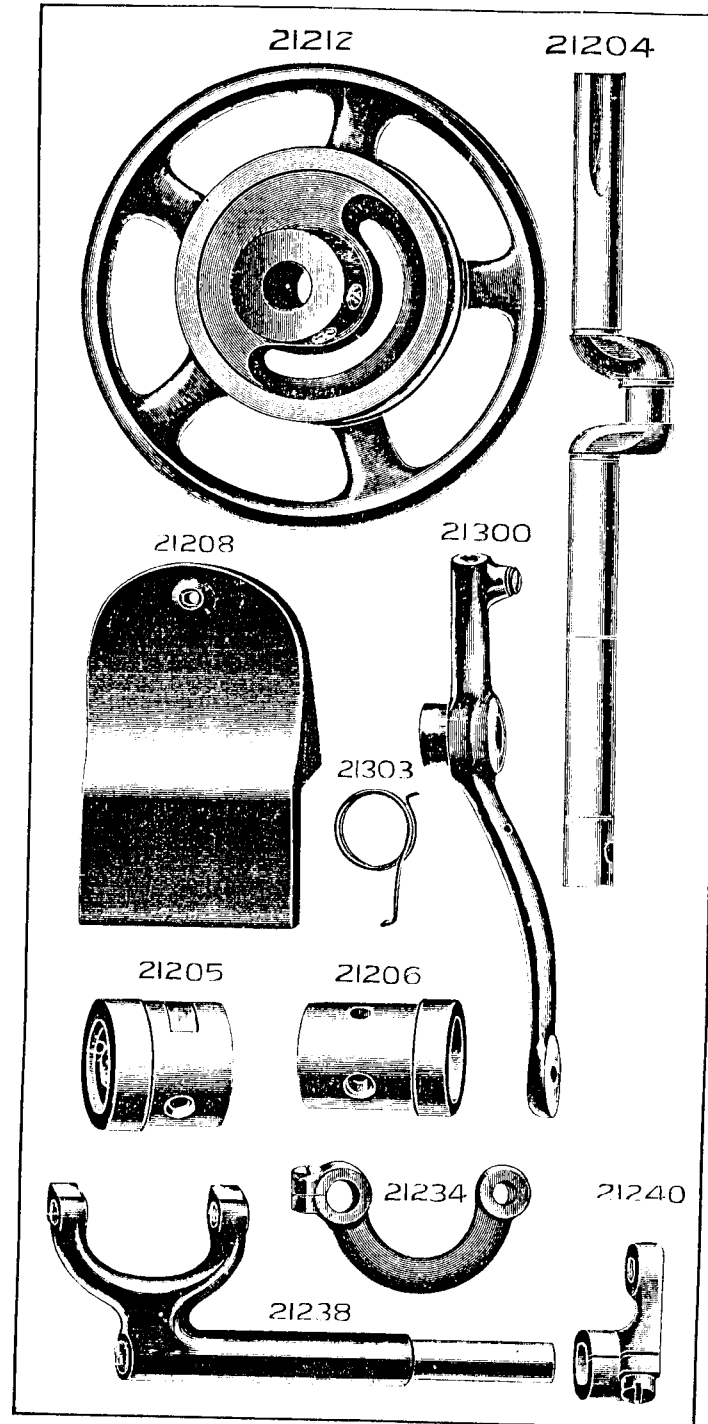


PLATE 1976—ONE-HALF SIZE

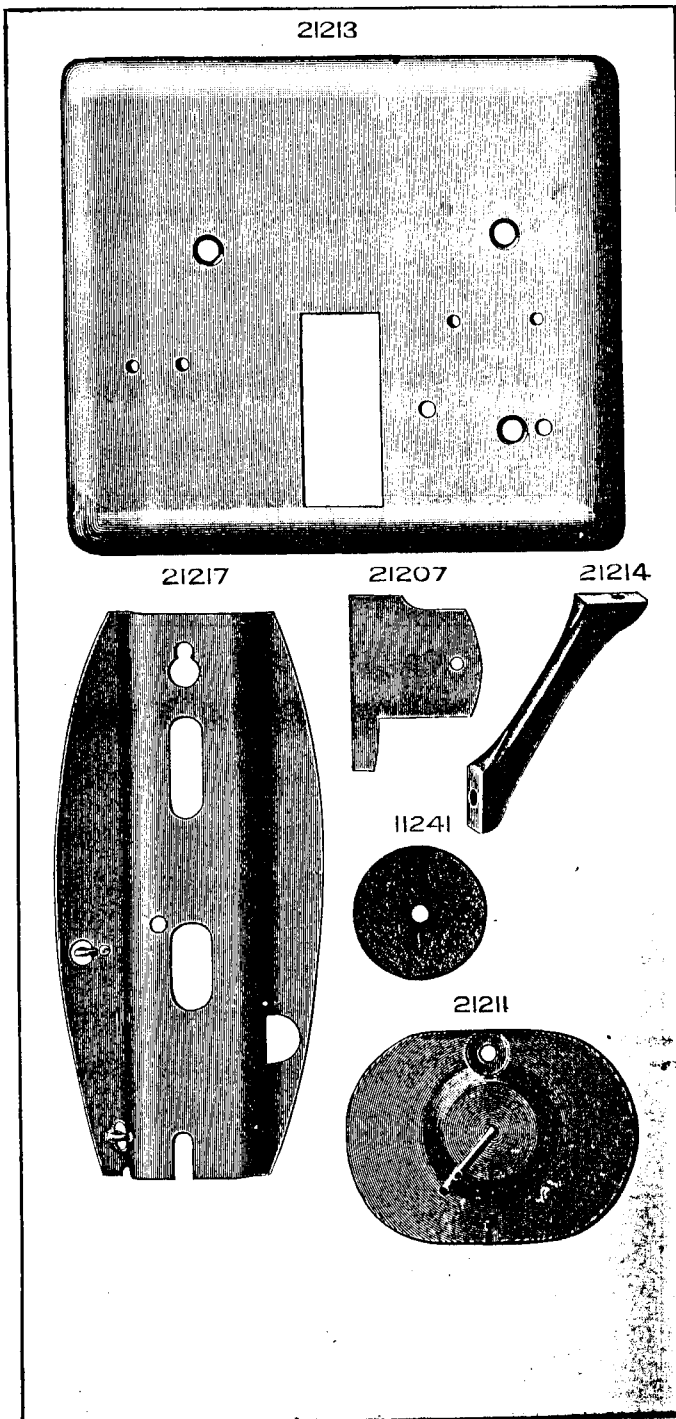


PLATE 1977—ONE-HALF SIZE

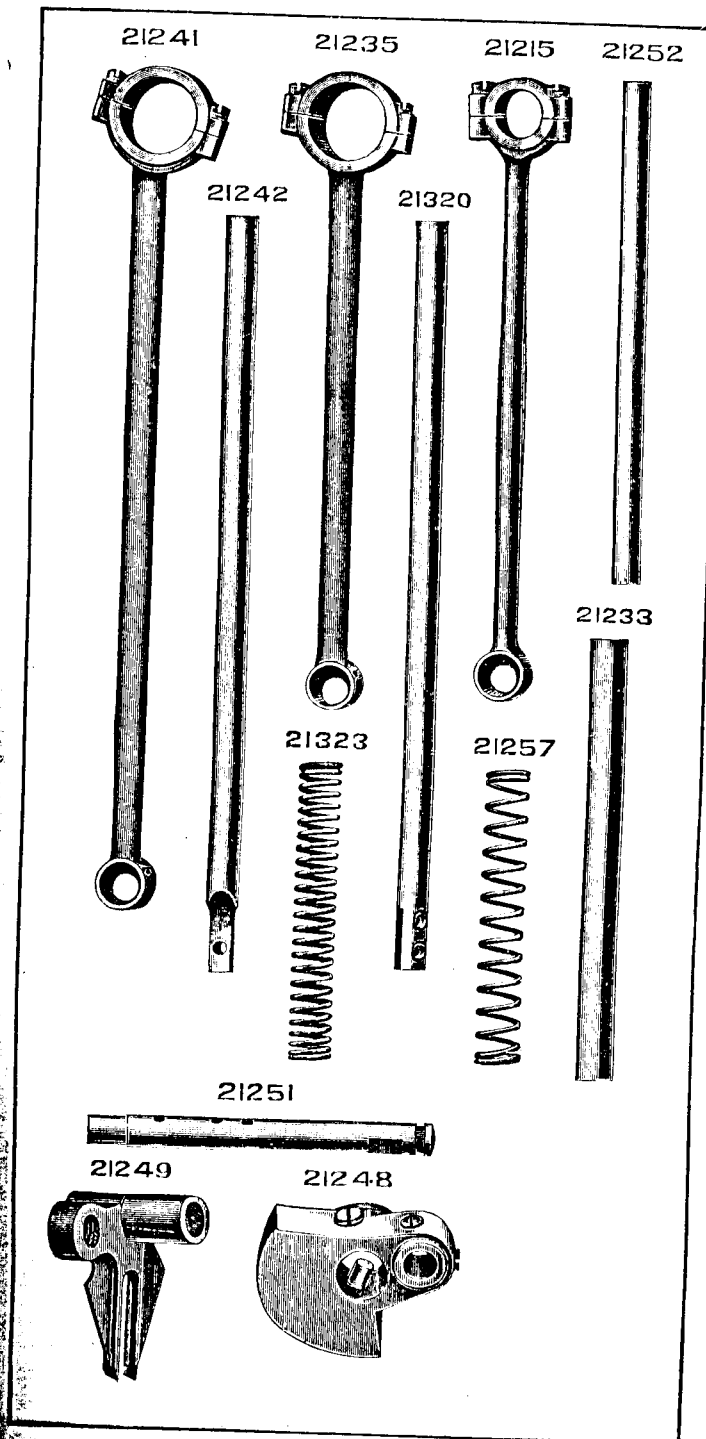


PLATE 1978—FULL SIZE

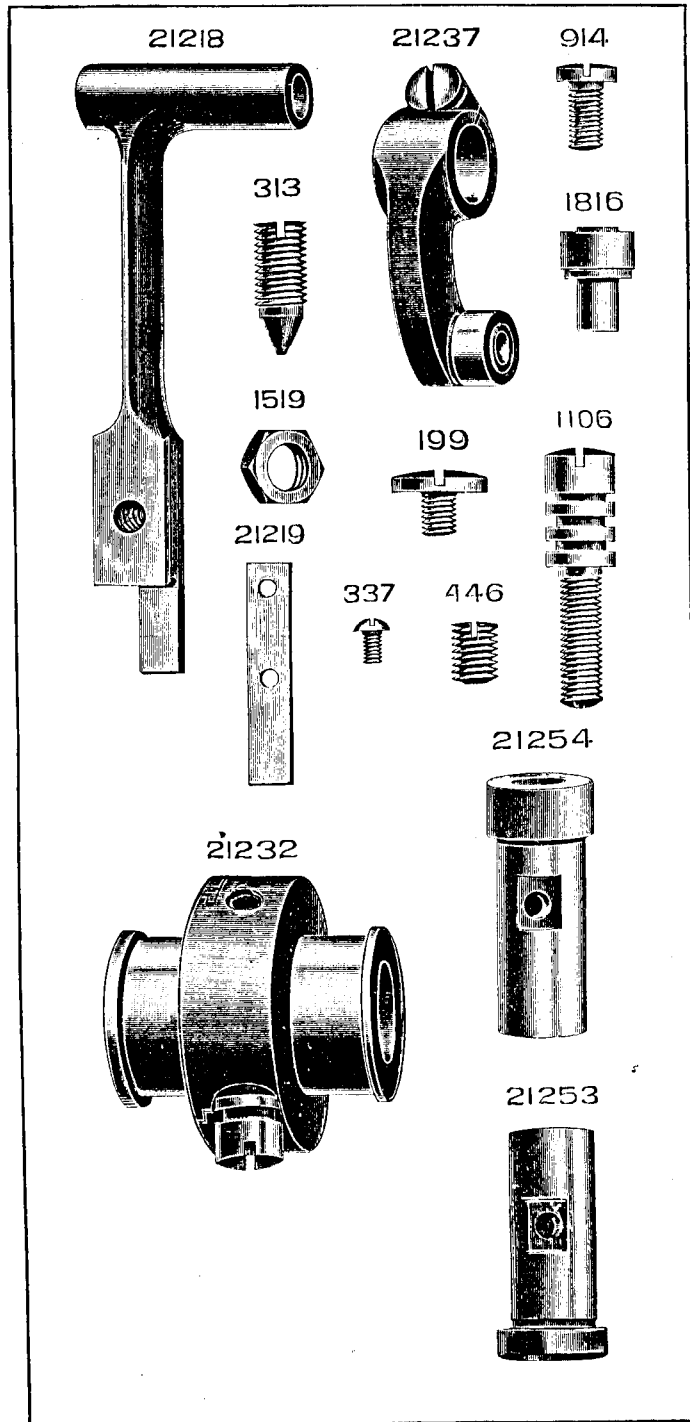


PLATE 1979—FULL SIZE

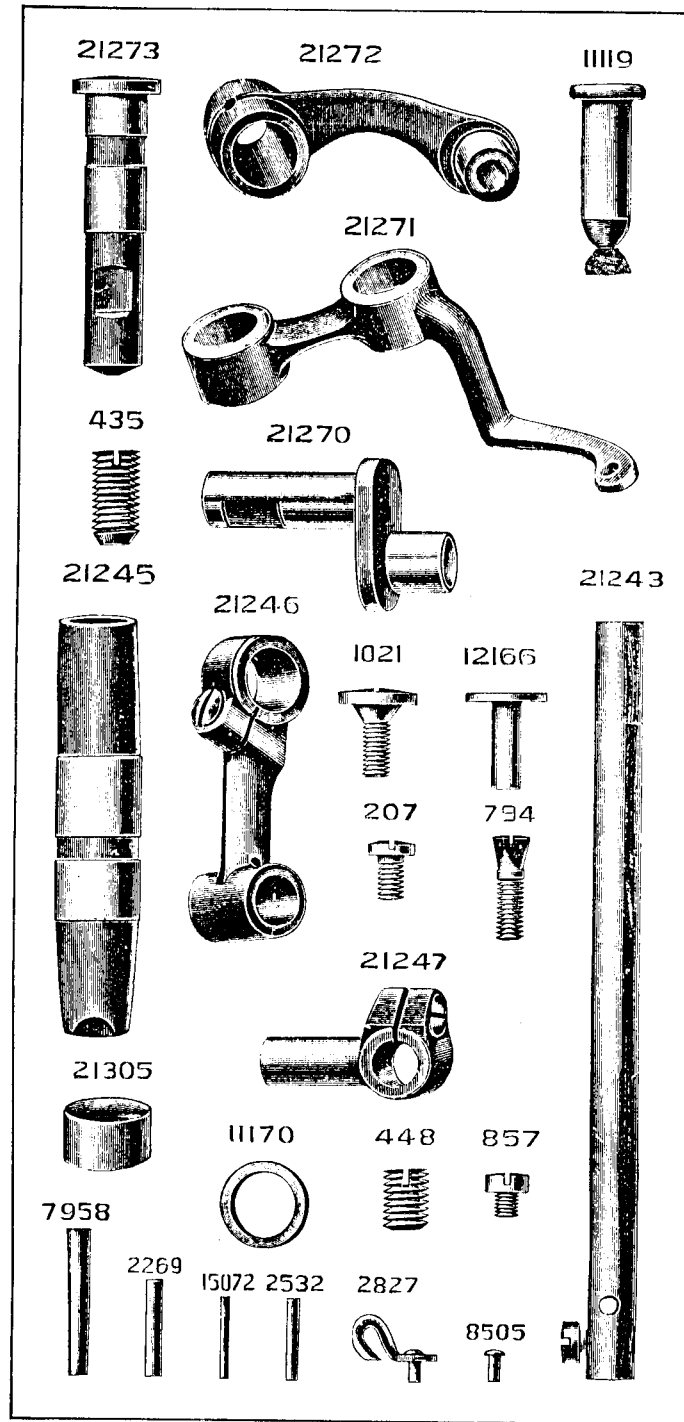


PLATE 1980—FULL SIZE

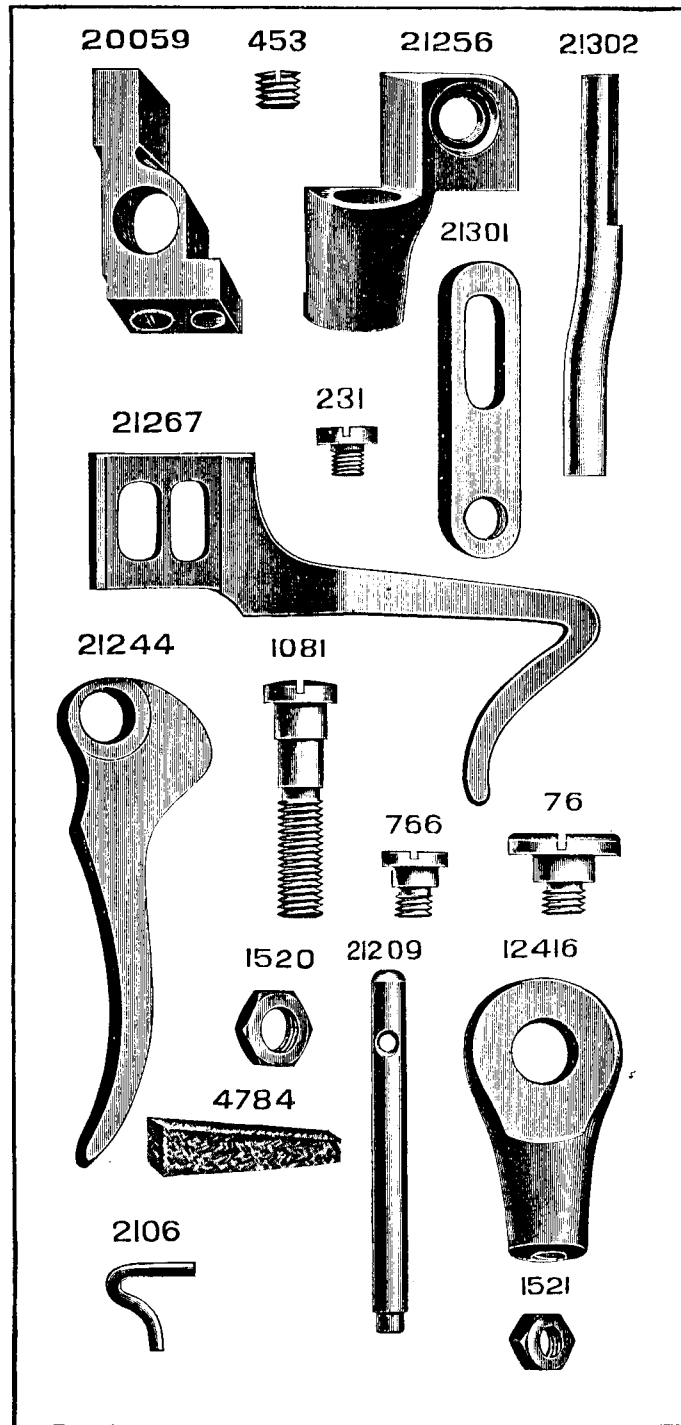


PLATE 1981—FULL SIZE

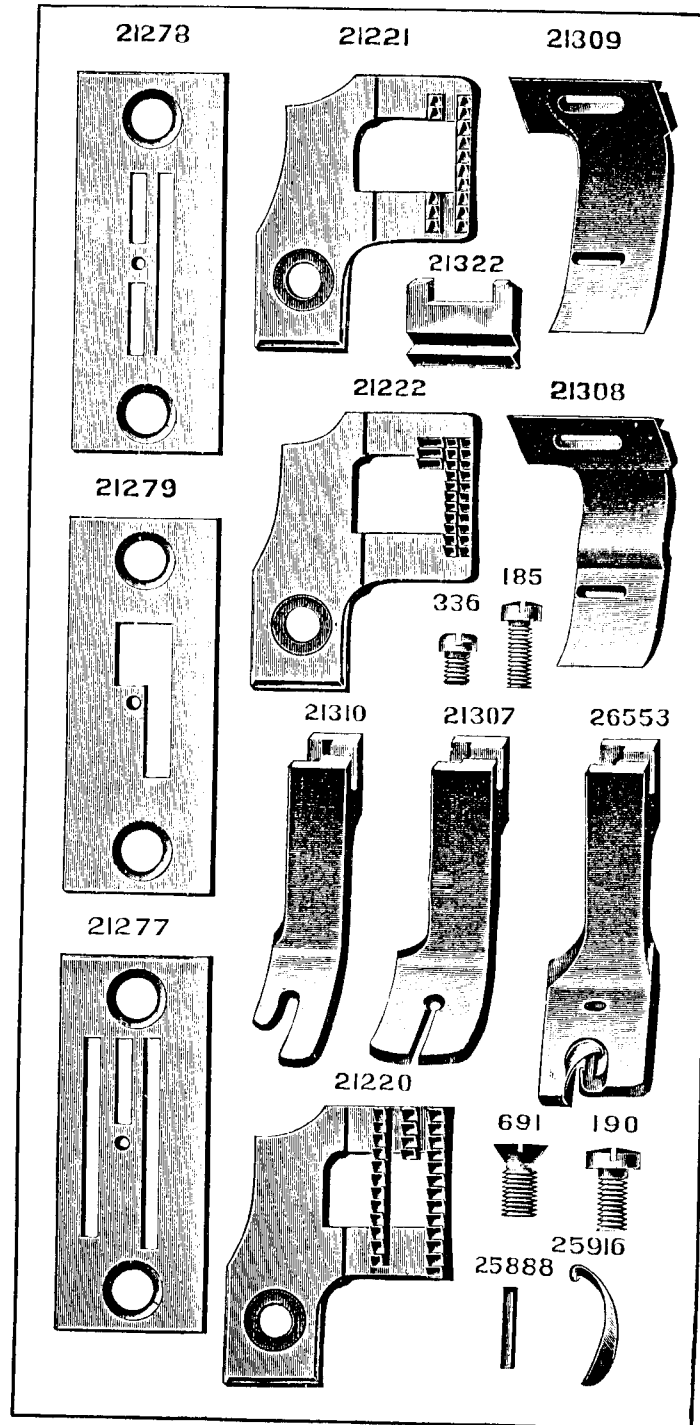
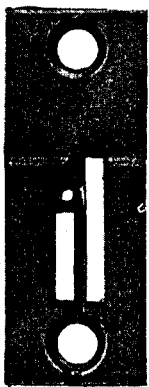
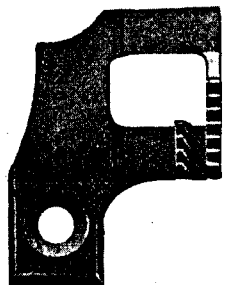


PLATE 1982—FULL SIZE

21281



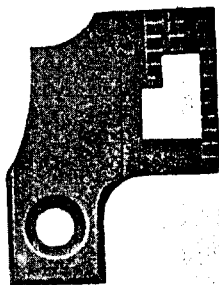
21223



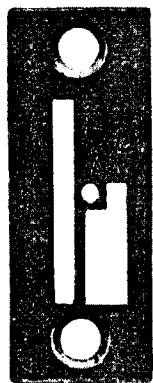
21311



21226



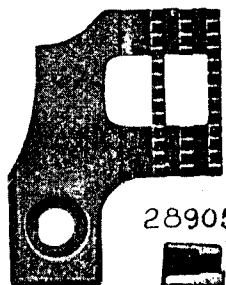
21285



21283



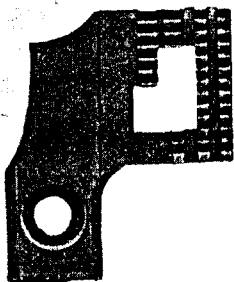
21225



665



21227



28904

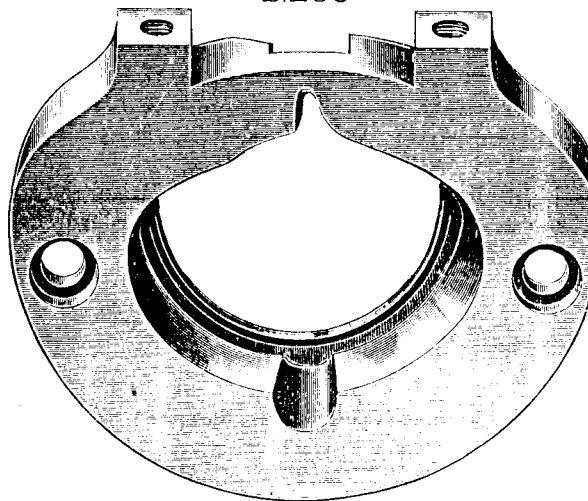


28905

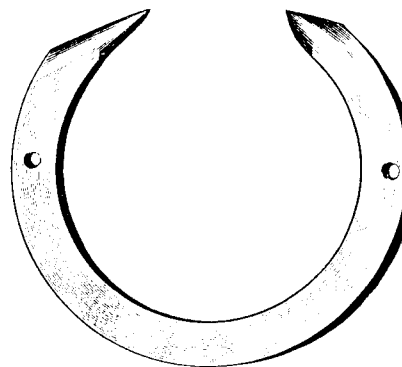


PLATE 1986—FULL SIZE

21266



15032



2533

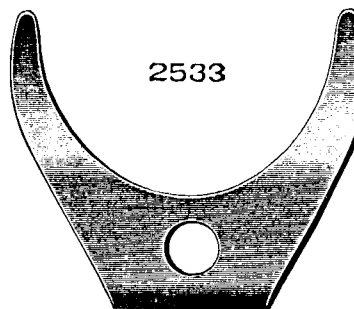


PLATE 1987—FULL SIZE

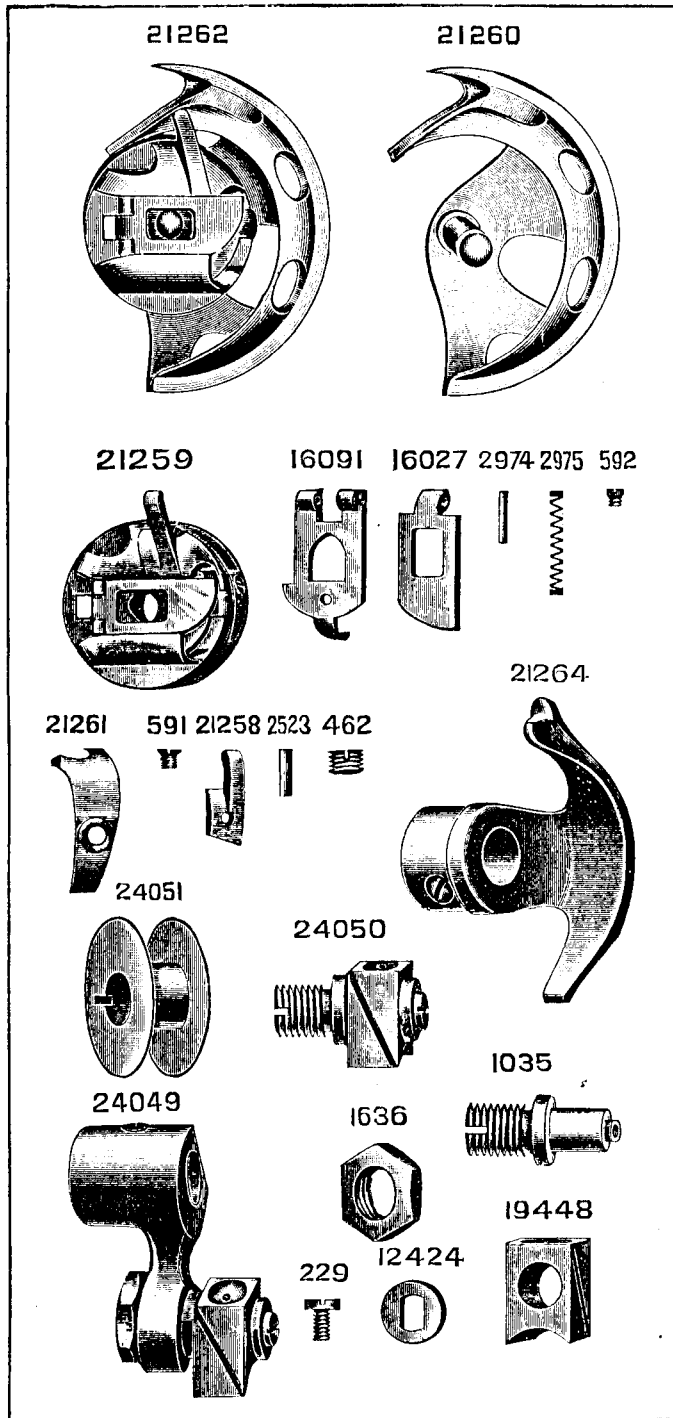


PLATE 1988—FULL SIZE

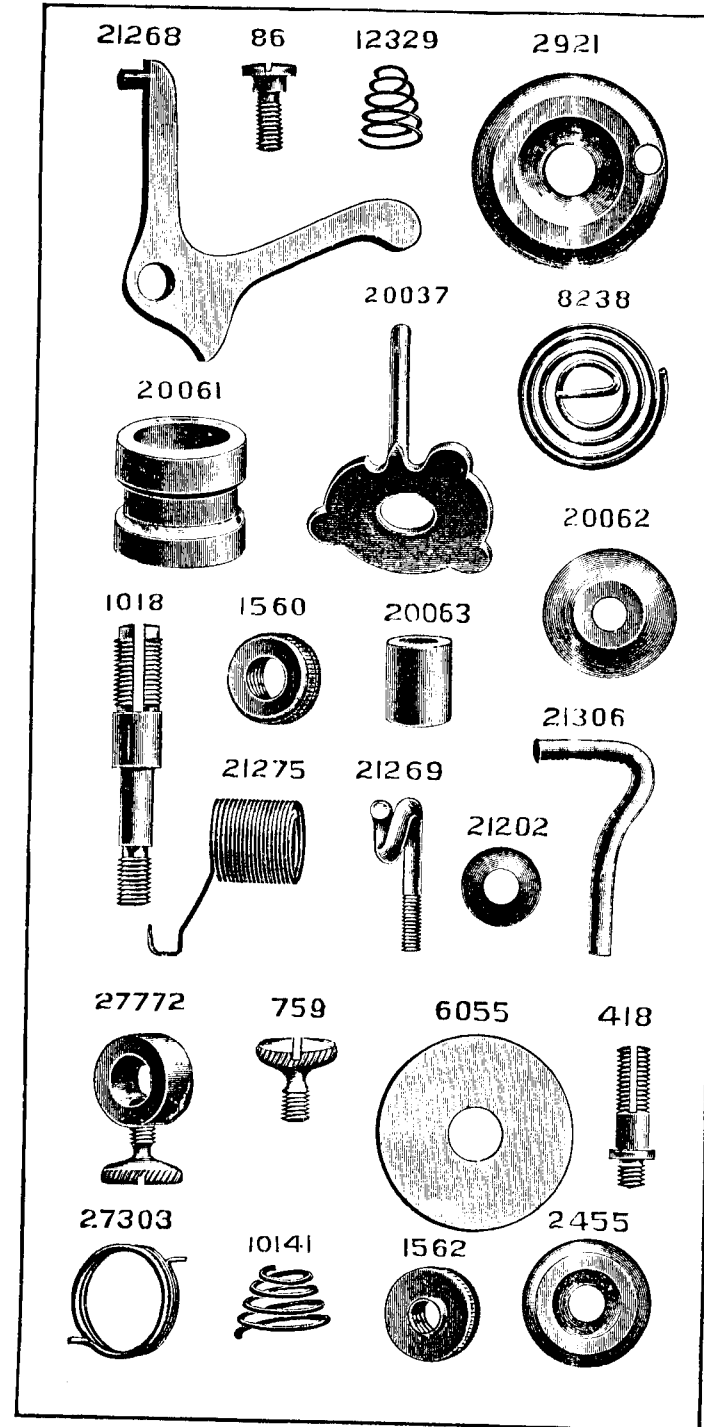


PLATE 1989—FULL SIZE

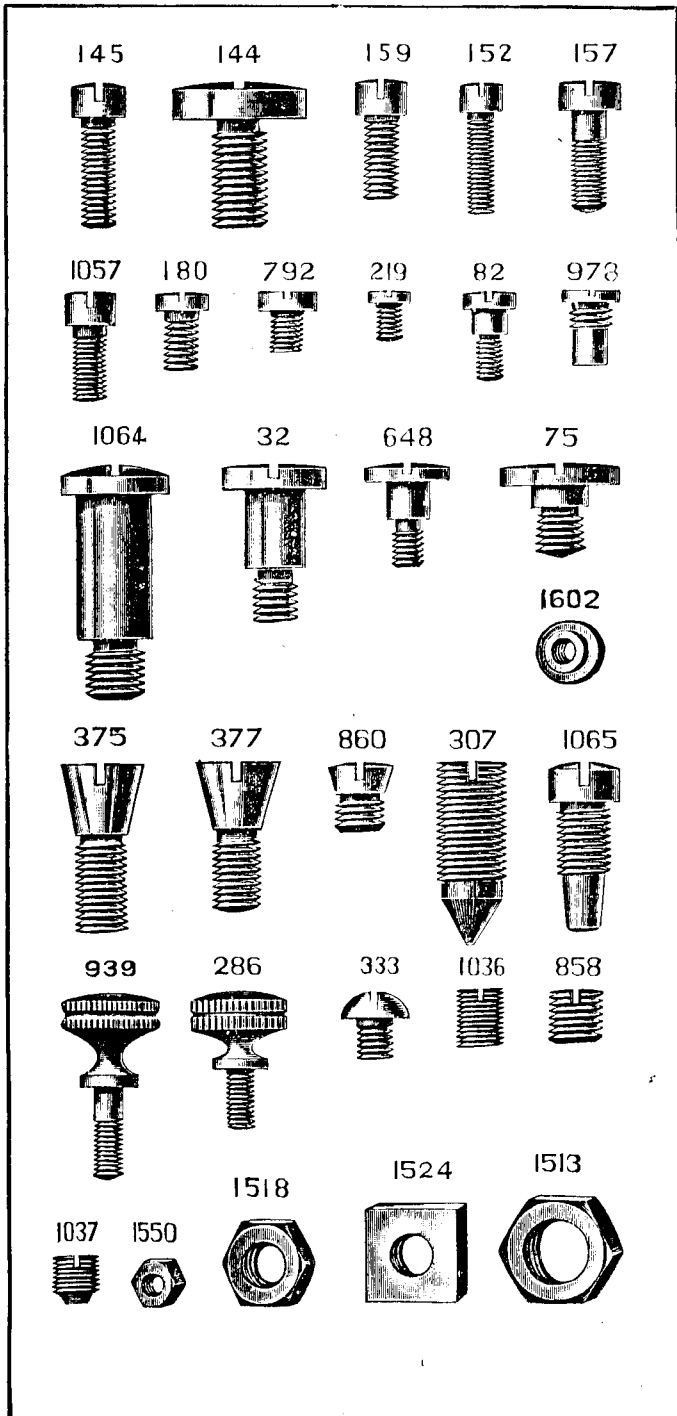


PLATE 1990—FULL SIZE

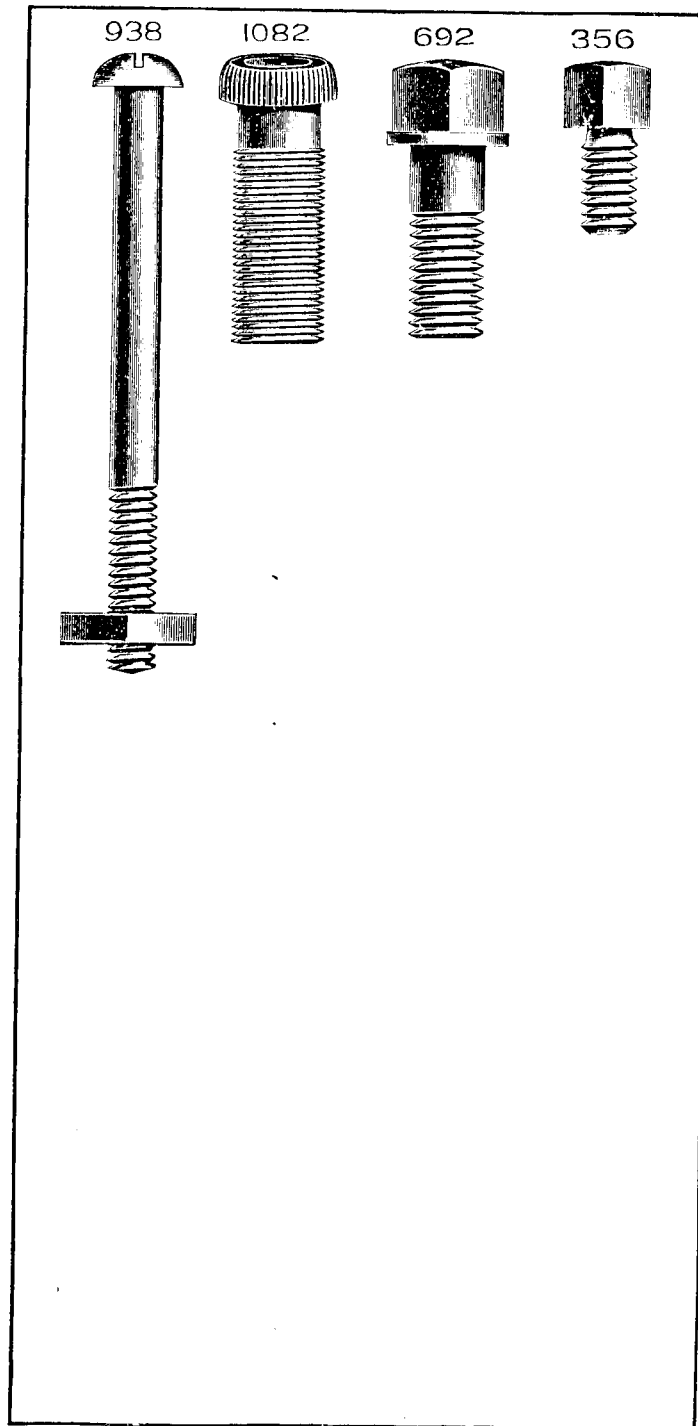


PLATE 1991—ONE-HALF SIZE

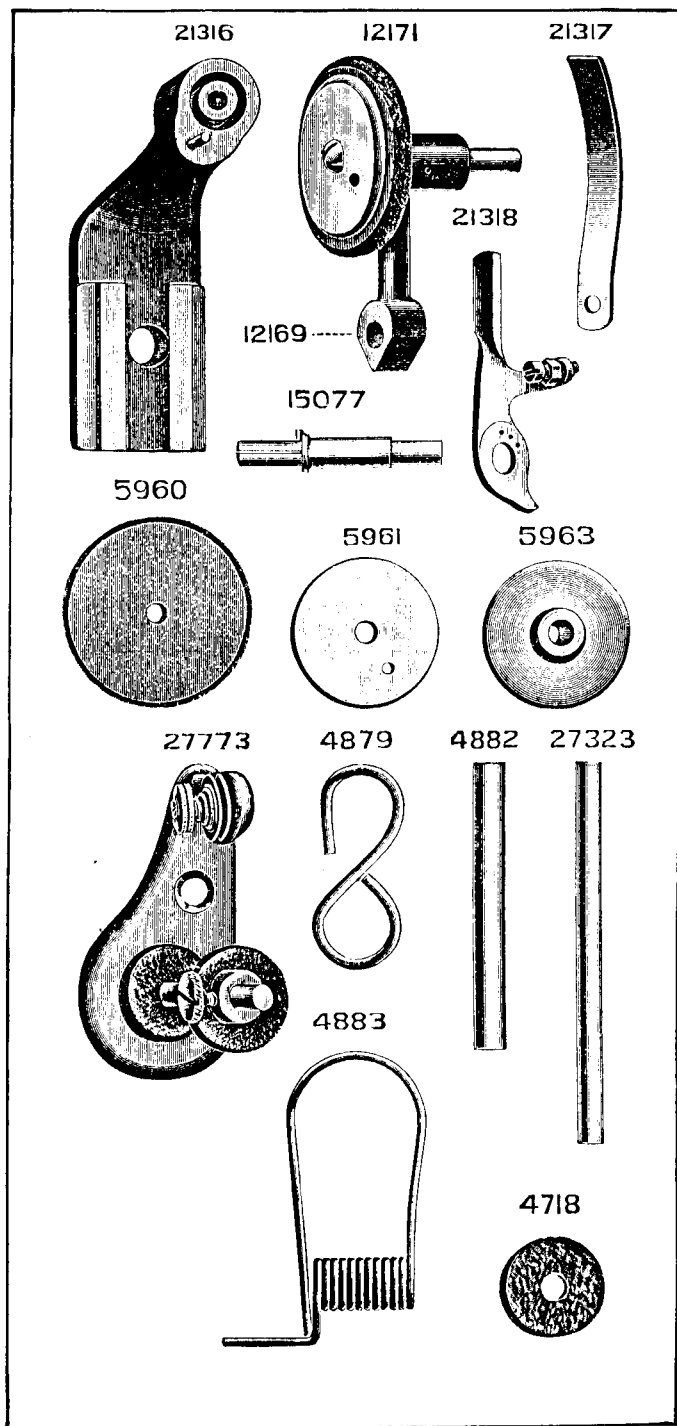


PLATE 1992—ONE-HALF SIZE

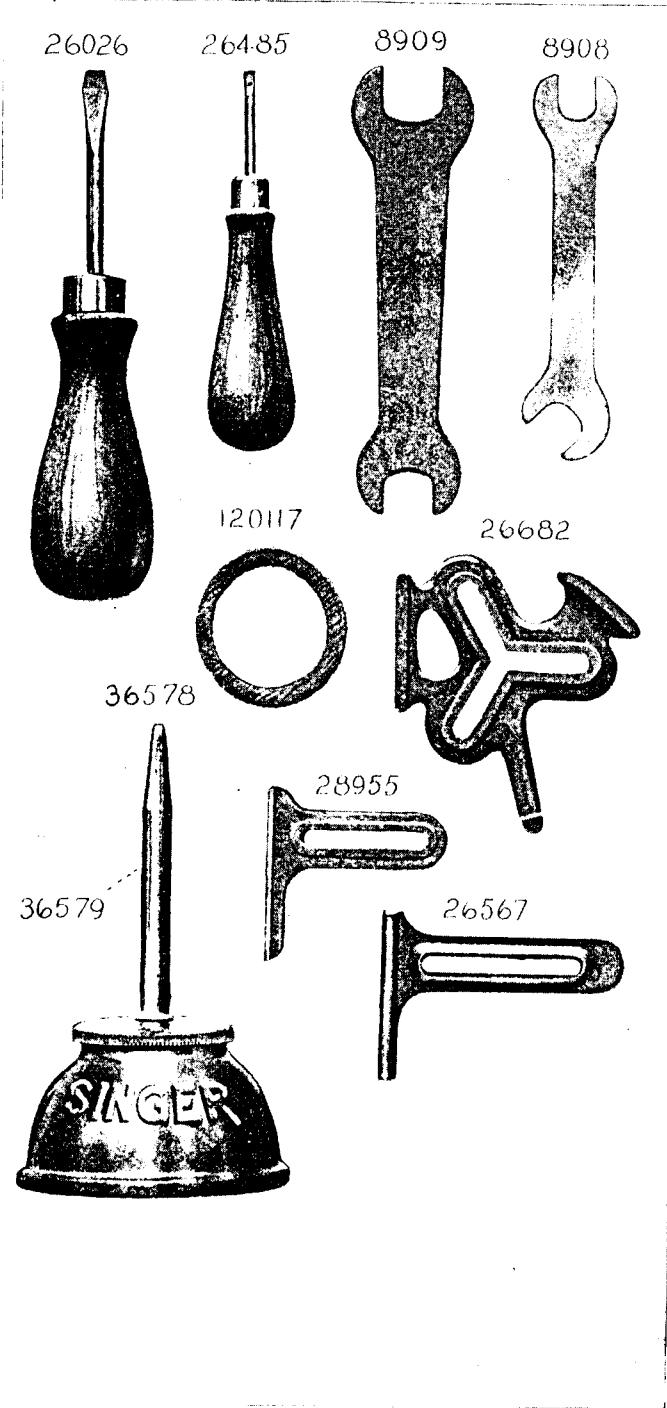


PLATE 1993—ONE-FOURTH SIZE

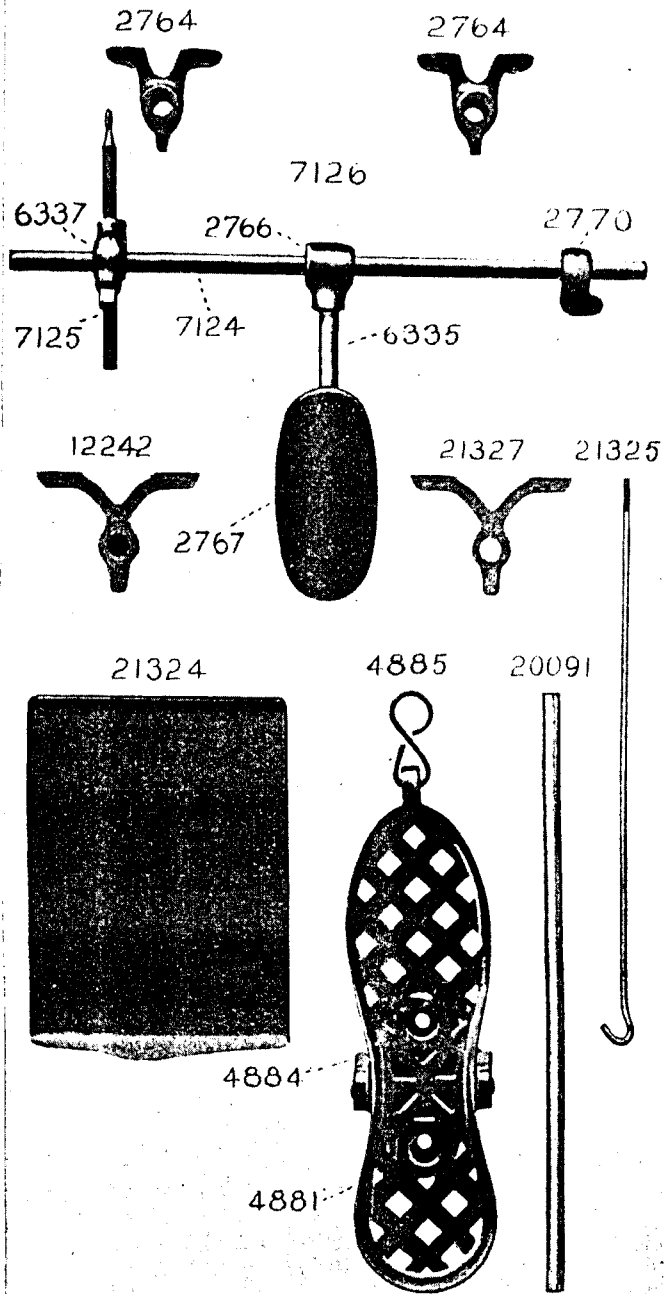


PLATE 1994—FULL SIZE

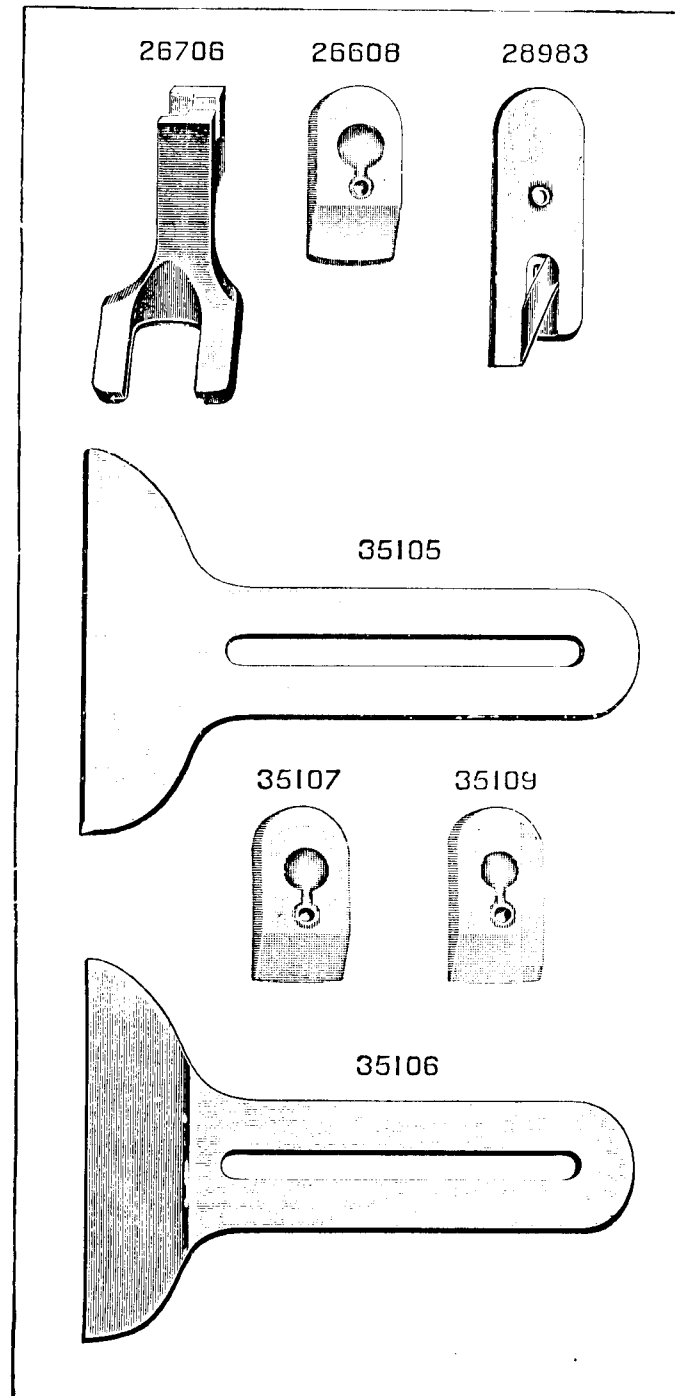


PLATE 1995—FULL SIZE

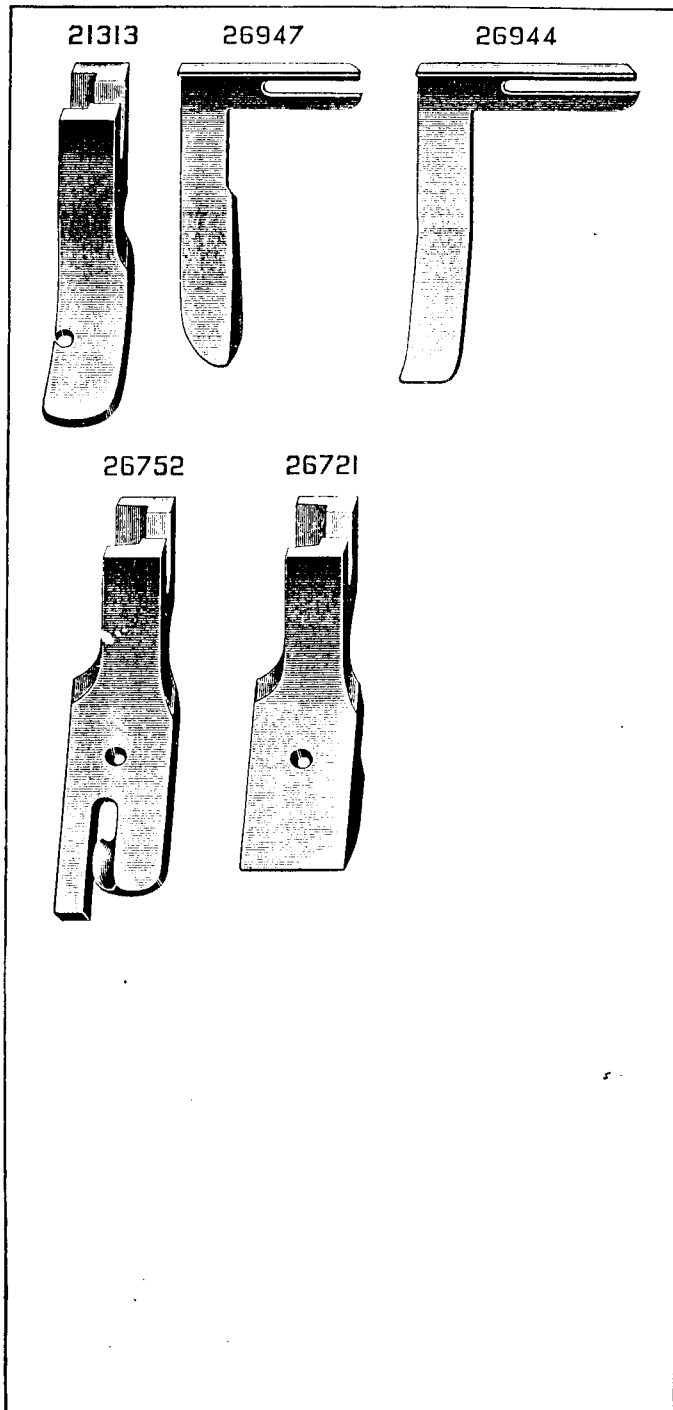


PLATE 1996—FULL SIZE

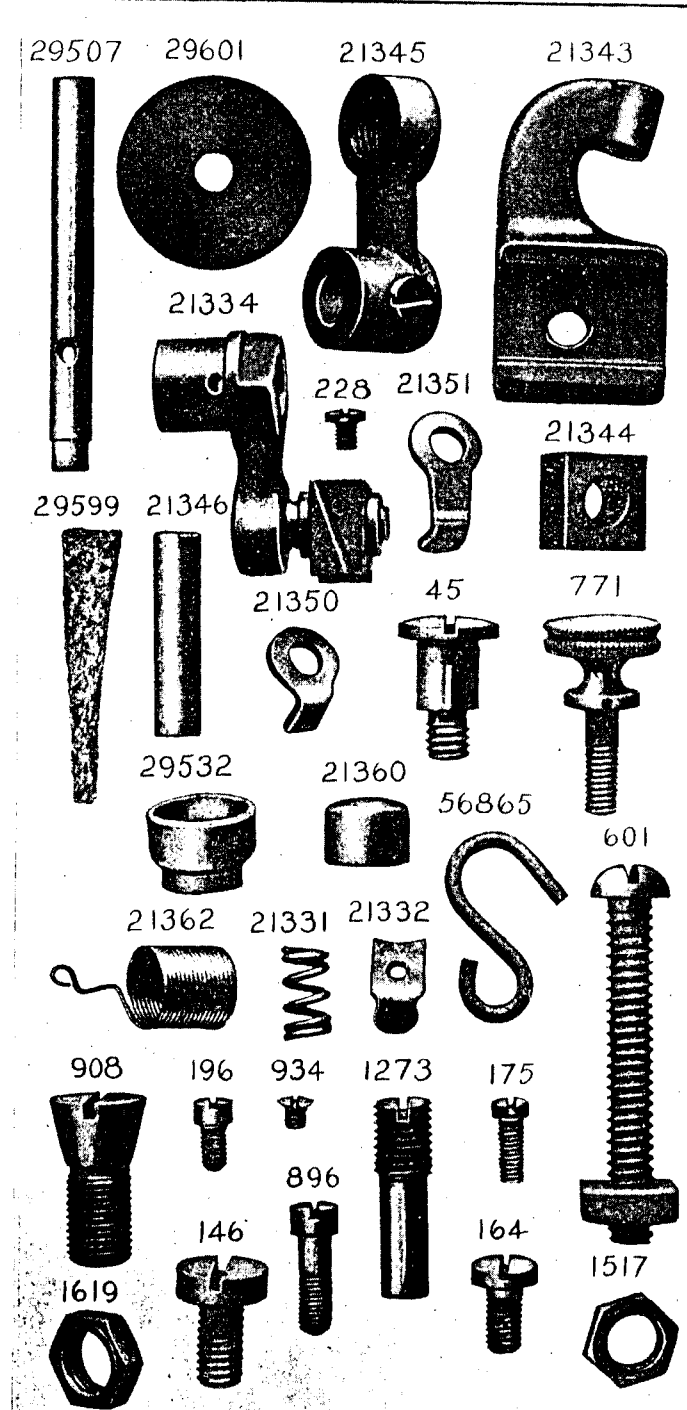
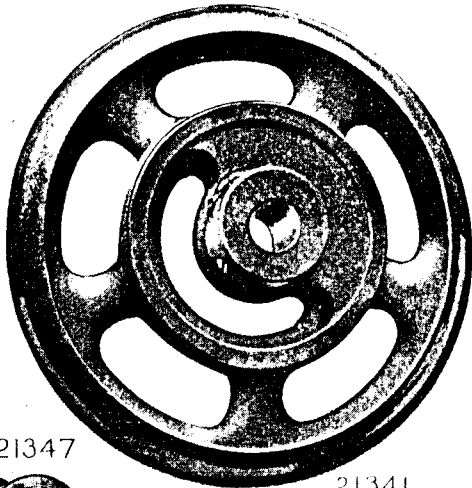


PLATE 1997—ONE-HALF SIZE

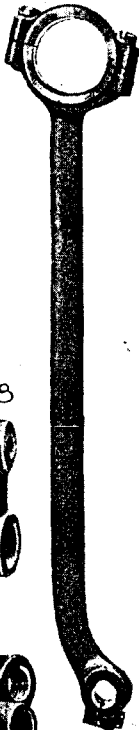
21356



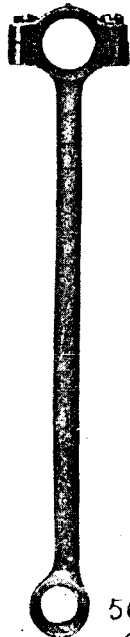
21330



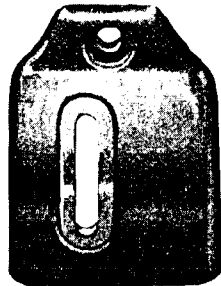
21347



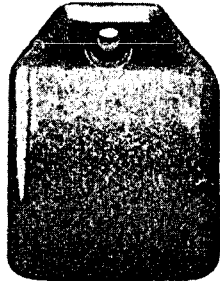
21357



21341



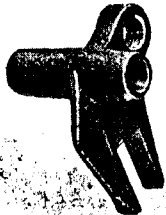
21349



21348



21336



56864



21342

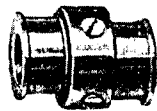
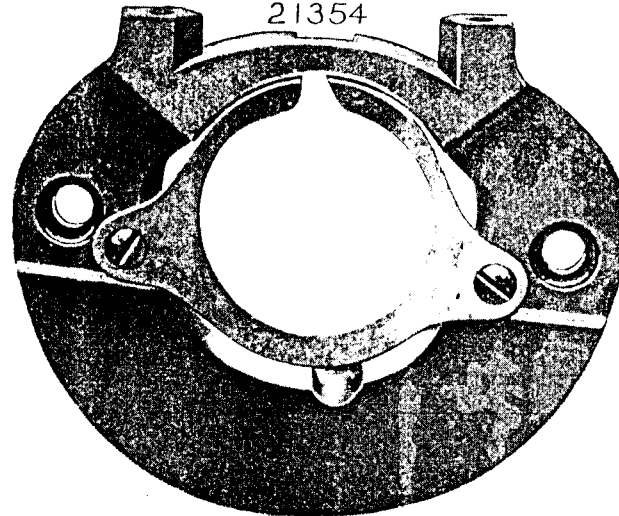
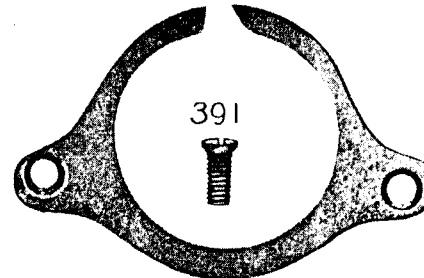


PLATE 1998—FULL SIZE

21354



21352



391



PLATE 1999—ONE-HALF SIZE

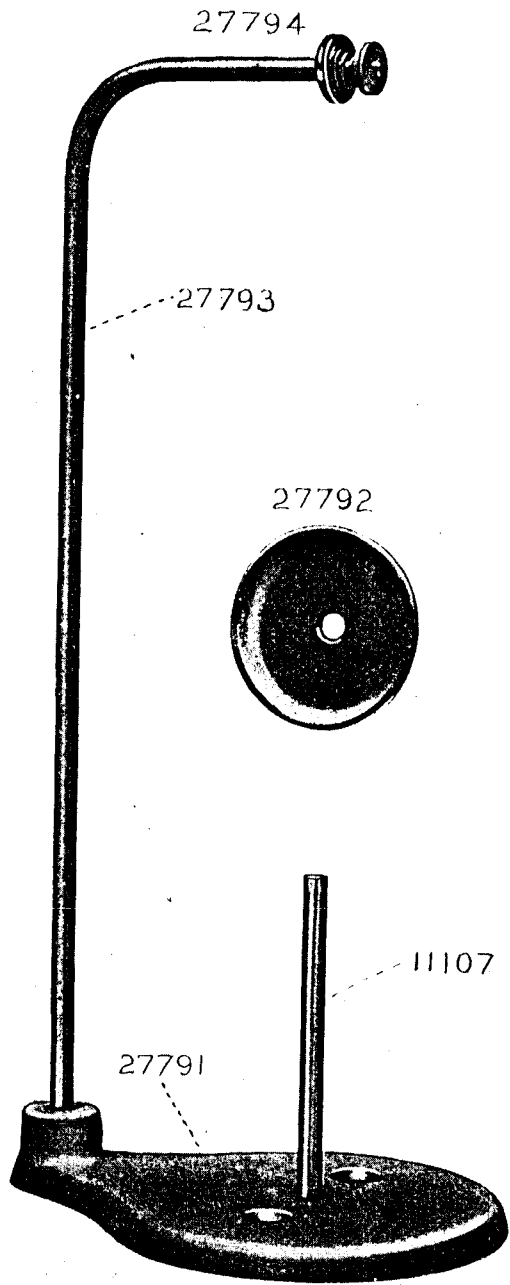


PLATE 3811—ONE-NINTH SIZE

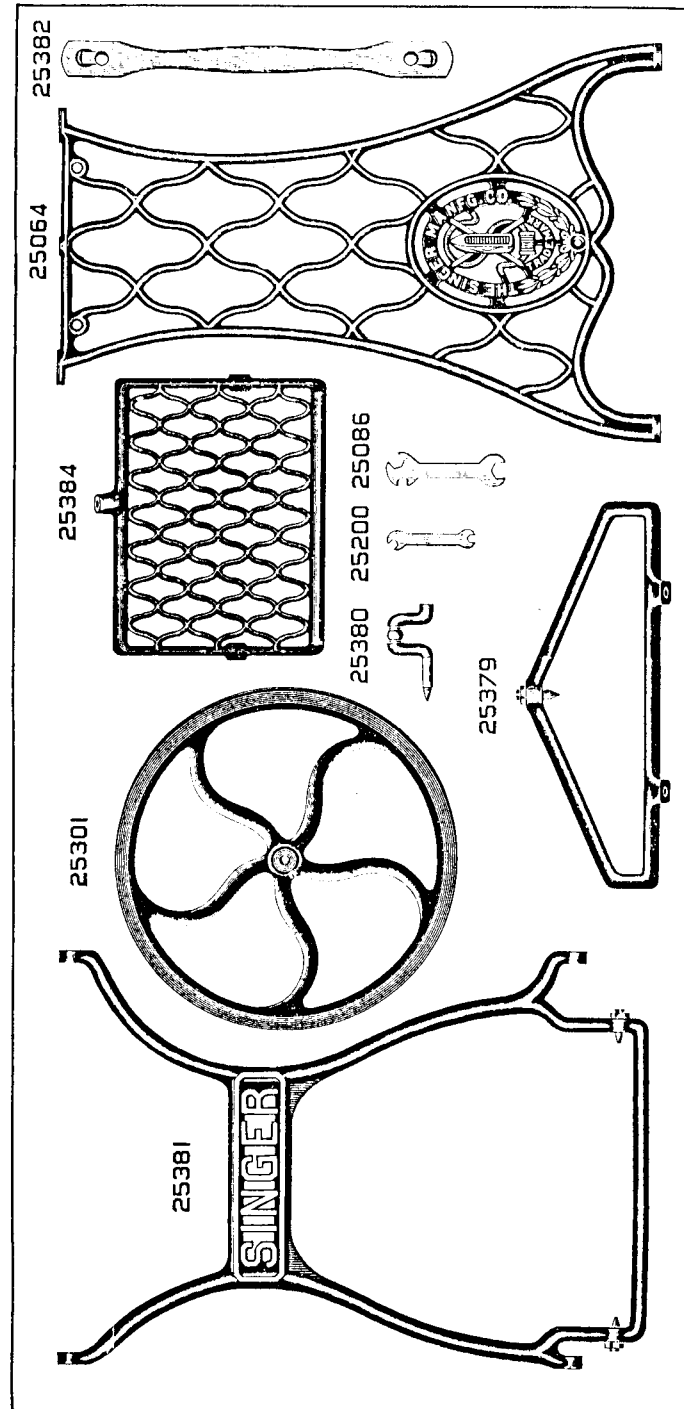


PLATE 3812—FULL SIZE

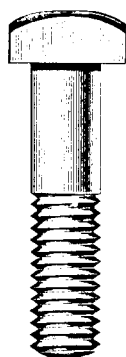
983



297



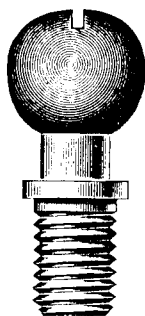
1118



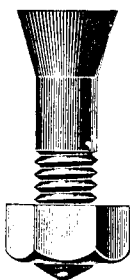
558



25160



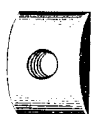
506



972



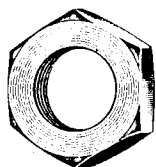
1570



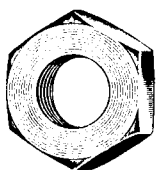
25075



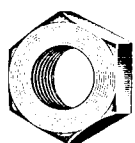
1614



1507



1510



25127

